

MixRite

DOSING PUMPS



IRRIGATION



ANIMAL HEALTH



INDUSTRIAL



SANITATION



WATER
TREATMENT



CUTTING
OIL



CAR
WASHING



 **tefen**
Flow & Dosing Solutions

Keep your business flowing.
Tefenitely.



About TEFEN

Tefen is a leading manufacturer of environmental friendly, non-electric volumetric equipment and flow products since 1973.

Tefen's MixRite line of water driven proportional dosing pumps, are used to ensure precise additive injection directly into the water or fluid line under various flow rates, feed ratios and different ranges of pressure. These pumps are extremely durable, manufactured from engineered composite materials to withstand the rigors of the elements, as well as chemicals and acids for injection.

Tefen offers the MixRite pumps for a variety of applications such as medication for livestock, cleaning or disinfecting fluid lines, sanitizing water systems, car wash, fertilizing, and pest control for crops and plants. Tefen's pumps are adaptable simple to use and cost effective, while creating a long-lasting solution for your needs.

The Tefen MixRite water powered dosing pump has demonstrated its value in **over 90 countries**, by offering reliable, innovative & sustainable solution according to customers needs.

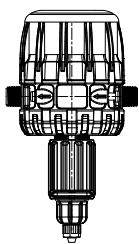
Tefen is certified
by ISO 9001 2015



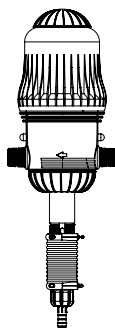


MixRite Range

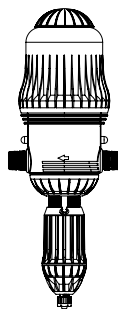
1



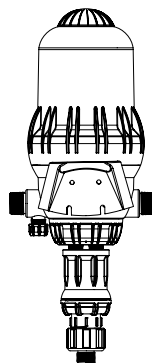
2.5



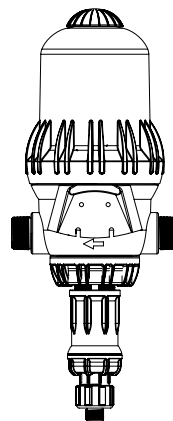
3.5



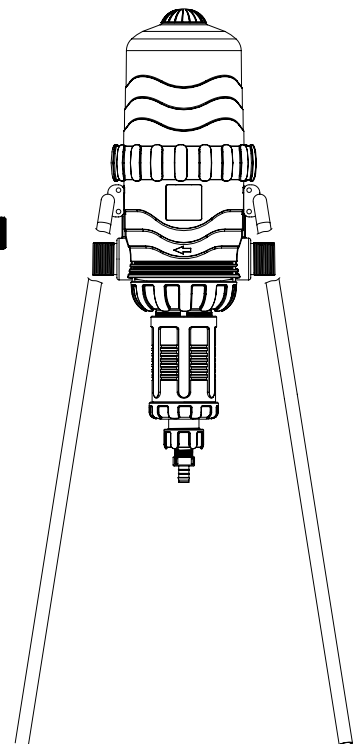
TF - 5



TF - 10



TF - 25



MixRite Dosing Pumps

Applications



IRRIGATION

The objectives of fertigation are to control water quantities and added nutrients necessary for optimum growth of crops. MixRite proportional injection technology means less waste, plus a better mix for fertilizers, pesticides and other water-soluble products.



INDUSTRIAL

MixRite Pumps are the perfect solution for various industrial applications.

They ensure automatic in line dosing of the required detergents, disinfectants, wax and other additives. MixRite dosing accuracy is not dependent on the pressure and flow variations in the network.



ANIMAL HEALTH

MixRite pumps for Animal Health guarantee control over doses of treatments injected through drinking water, which is the ideal distribution method, from the first day of the flock. In all kinds of Animal (poultry, pigs, cattle, rabbits, etc.), the MixRite proportional dosing pumps will enable you to dose into the water line treatments such as: Medications, Vaccines, Disinfectants, Acidification, Chlorine, Supplements, Vitamins, Minerals.

The proportionality of MixRite pumps guarantees the correct dose independently by pressure and water flow variations (animal consumption).





SANITATION

The sanitation and hygiene industry requires exceedingly accurate and reliable chemical mixing and injection solutions. MixRite injectors are used in market applications like hospitals, restaurants, food services, and supermarkets. MixRite pumps are easily installed in fixed or mobile installations often including static mixers, maturing tanks, flow meters, etc.



CAR WASHING

MixRite pumps are the perfect solution for car wash facilities of all types and sizes. It lowers the cost-per-car expense, while using less energy and chemical waste.



CUTTING OIL

Cutting oil is designed to extend the life of cutting and drilling equipment and improve their performance. MixRite water powered proportional pumps ensure injection of precise additive amount to the process.



WATER TREATMENT

Water treatment is any process that improves the quality of water for a specific end-use such as drinking, industrial water supply, irrigation and many more. MixRite pumps offer optimal solution for chlorination and PH control process.



MixRite Dosing Pumps

Features

- Mixes additive and water precisely
- The dosage can be adjusted easily and quickly
- Repair is simple and inexpensive
- Key internal parts are from the highest quality material available (hastelloy spring, Viton Rubber seal)

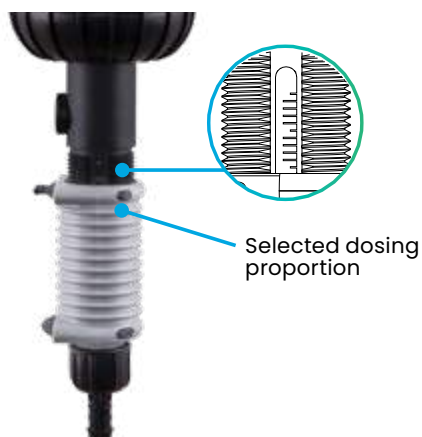
Advantages

- Hydraulic, volumetric and non-electric.
- Dosing proportional to water flow rate.
- Excellent dosing repeatability and homogeneity.
- Easy dosing adjustment.
- Easy to install, operate and maintain.

Determining the right MixRite model for each application is done according to the customer's needs and the system specifications.

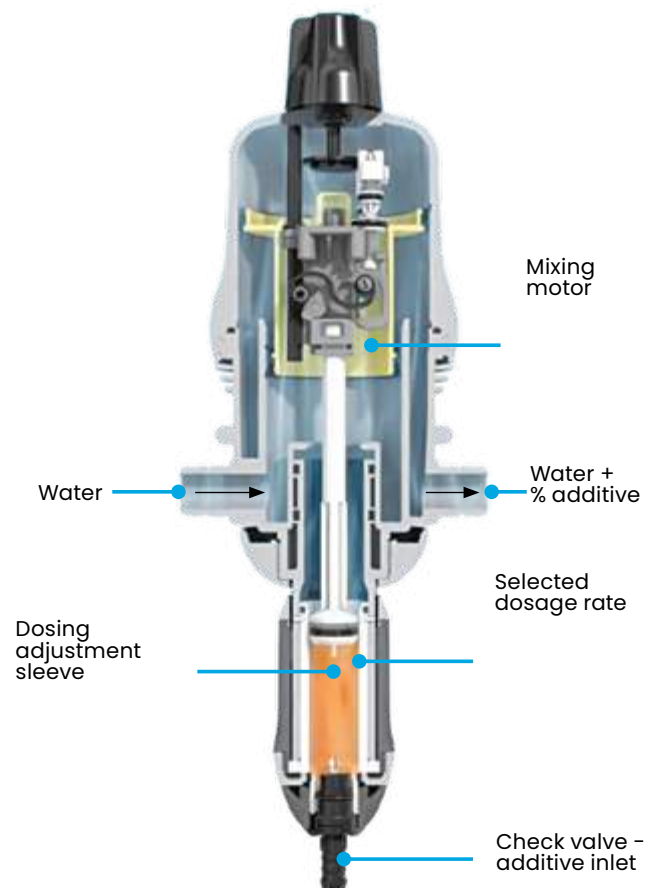
Adjusting the MixRite pump

The injection rate is set up manually by rotating the sleeve to the desired proportion. The amount of injected concentrate is proportional to the amount of water flowing into the MixRite pump.



Operating principle

The unit will automatically start working when water is flowing in the water line and continue until the flow will stop; it is possible to control the suction (intake) operation by using the models with the On/Off system.



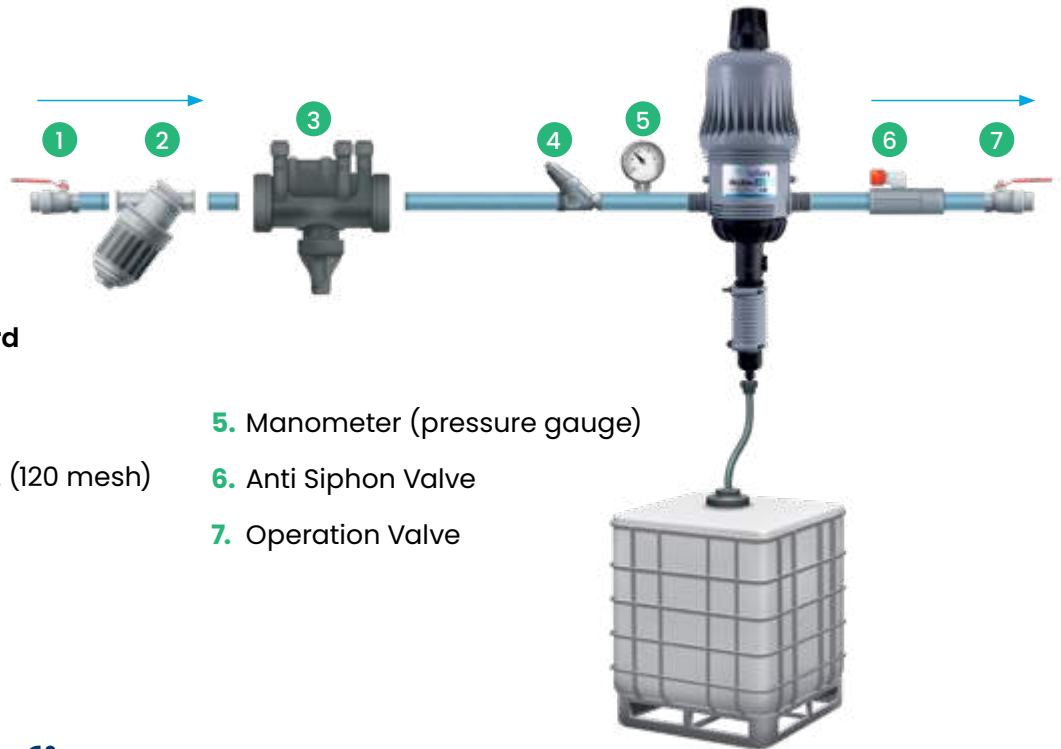
Simplicity by design

Simple maintenance

MixRite is the most simple injectorto use. Less maintenance is required and no technician is needed for changing spare parts.

Simple installation

MixRite is a "Plug and Play" unit. Installation of MixRite can be done by using the instructions which are attached to each unit.



Recommended standard Installation inline

1. Main Valve
2. Filter - 130 Micron Min. (120 mesh)
3. Back Flow Preventer
4. Pressure Regulator
5. Manometer (pressure gauge)
6. Anti Siphon Valve
7. Operation Valve

MixRite Configurator

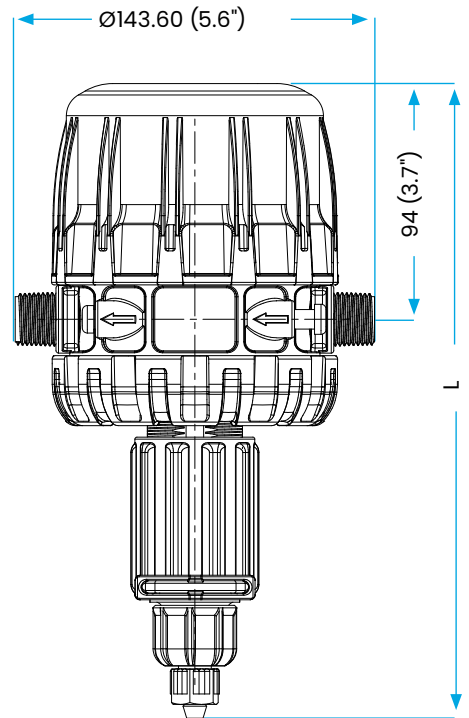
PUMP CODE	1-2	3-4	5-6	7	8-9	10-11
Fixed prefix	28=Pumps	01=MixRite 1, 3/4" BSPT 02=MixRite 2.5, 3/4" BSPT	01=0.1%-0.9% 02=0.3%-2%	0=air 1=ON/OFF	'00=Standard 5B = Standard	00
Pump model + connector thread (BSP/NPT/Compression)		03=TF5, 1" NPT 04=TF 5, 1" BSPT 05=TF5, 32mm 08=TF10, 1 1/2 NPT 09=TF10, 1 1/2 BSPT 10=TF10, 50mm 23=TF25, 2" NPT 24=TF25, 2" BSPT 25=TF25, 63mm 30=MixRite 3.5, 3/4" BSPT	04=0.4%-4% 05=0.5%-5% 10=1%-10% 11=1% Fix 21=0.03%-0.2% 22=0.2 Fix 28=0.8 Fix		P0=Poultry C0=Industry CL=Chlorine CW=Car wash IV=PVDF I0=Internal By Pass B0=External By Pass HB=Hybrid	
Dosage %						
Cover option						
Application						
Additional information						

MixRite Dosing Pumps


1 m³/h MixRite 1

Technical Information

Water pressure	0.2 – 8 bar (2.9 – 116 psi)
Flow Rate	20 – 1000 l/h (0.09 – 4.4 GPM)
Working temp	4–40° C (39.2–104° F)
Coupling	3/4"



Application Color Code

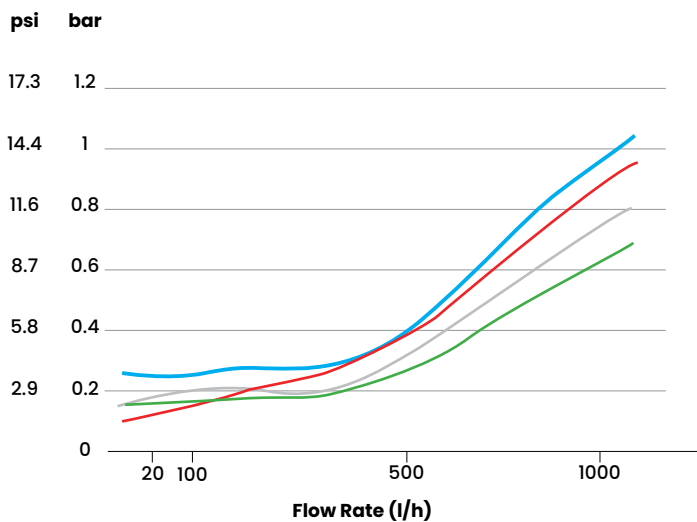
Application	Sleeve Color	TEFEN Code	Seal Material	Spring Material	Model	L
Domestic Landscaping (0.2% fix)		STD	NBR	SST	Fix	212.5 (8.3")
Chlorine / Industry		CL	Viton	Hastelloy	Adjustable	254.0 (10")

Application Range

Dosage Rate %	Flow Rate Range	Pressure Range	Connectors Dia.Thread	Min-Max Injection Rate Per Hour	Suction Tube wDia.	Applications
0.2% Fix	20 - 1000 l/h	0.2 - 8 bar	3/4" BSPT	0.04 - 2 l/h	8 mm	Landscaping
0.1% - 1%	20 - 1000 l/h	0.2 - 8 bar	3/4" BSPT	0.02 - 10 l/h	8 mm	Landscaping / Chlorine / Industry
0.2% - 2%	20 - 1000 l/h	0.2 - 8 bar	3/4" BSPT	0.04 - 20 l/h	8 mm	Landscaping / Chlorine / Industry
0.4% - 4%	20 - 1000 l/h	0.2 - 8 bar	3/4" BSPT	0.08- 40 l/h	10 mm	Landscaping / Chlorine / Industry

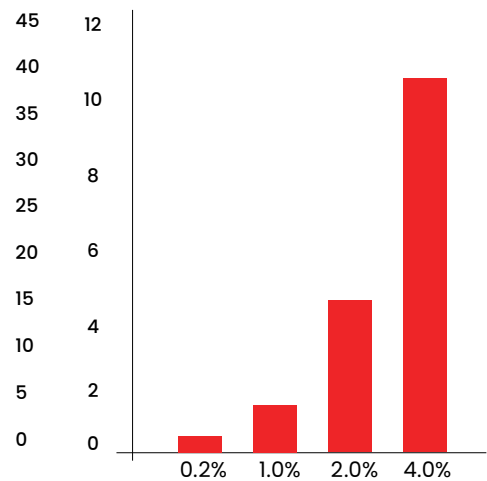
Pressure Loss

- 4%
- 2%
- 1%
- Fixed



Max. injection rate/h

Injection Rate
L/h gph



MixRite Dosing Pumps

2.5 m³/h MixRite 2.5

Technical Information

Water pressure | 0.2 – 8 bar (2.9 – 116 psi)
 Flow Rate | 10 – 2500 l/h (0.044 – 11 GPM)
 Working temp | 4-40° C (39.2-104° F)
 Coupling | 3/4"

* Legs available upon request

Available options

Manual ON/OFF Hydraulic ON/OFF Electric ON/OFF



By Pass models



Internal bypass

*Yellow sleeve



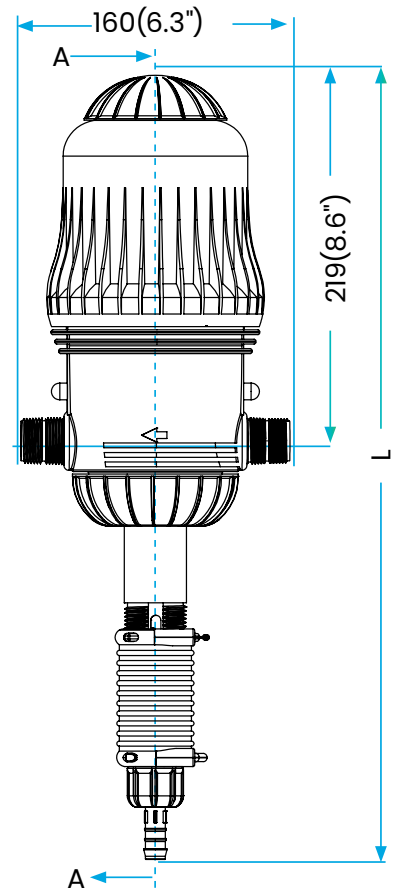
External bypass

*Yellow sleeve

Application Color Code

Application	Sleeve Color	TEFEN Code	Seal Material	Spring Material
Irrigation	Grey	STD	NBR	SST
Livestock	Red	PO	NBR, EPDM	SST, Hastelloy
Acids	White	PVDF	AFLAS	Hastelloy
Chlorine	Purple	CL	Viton	Hastelloy
Industry	Black	C	EPDM, AFLAS	SST, Hastelloy
Car Wash	Cyan	CW	AFLAS	SST, Hastelloy
By-Pass	Yellow	I / B	EPDM, AFLAS	SST, Hastelloy

	L (Height)	
	on/off	Air Release
Max.	528 (20.7")	496 (19.5")
Min.	497 (19.5")	457 (17.9")

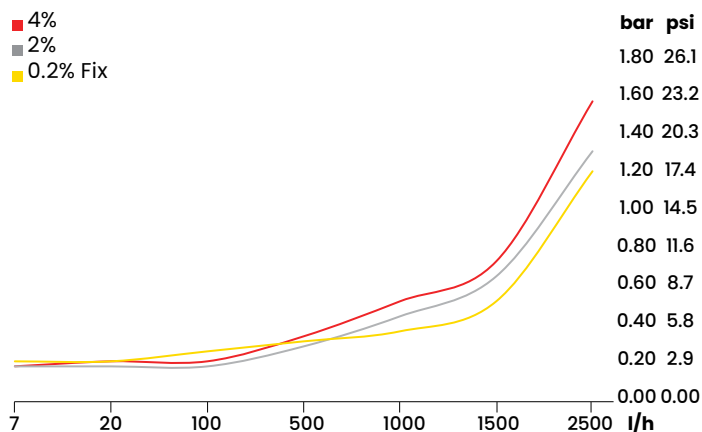


Application Range

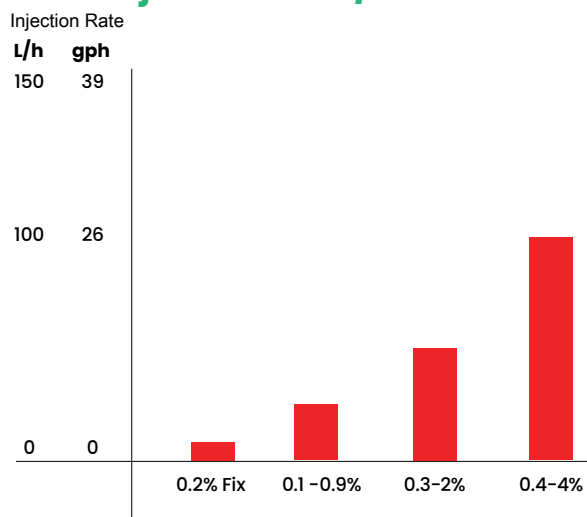
Dosage Rate %	Flow Rate Range	Pressure Range	Connectors Dia. Thread	Min-Max Injection Rate Per Hour	Suction Tube Dia.	Applications	Gross weight std unit
0.2% fix	10 - 2500 l/h	0.2 - 8 bar	3/4" BSPT	0.02 - 5 l/h	8 mm	Irrigation	1.4 KG
0.8% fix	10 - 2500 l/h	0.2 - 8 bar	3/4" BSPT	0.08 - 20 l/h	10 mm	Irrigation / Livestock	1.5 KG
1% fix	10 - 2500 l/h	0.2 - 8 bar	3/4" BSPT	0.01 - 25 l/h	10 mm	Irrigation / Livestock	1.8 KG
0.1% - 0.9%	10 - 2500 l/h	0.2 - 8 bar	3/4" BSPT	0.01 - 22.5 l/h	8 mm	Irrigation / Livestock / Chlorine / Car Wash / Acid	1.8 KG
0.3% - 2%	10 - 2500 l/h	0.2 - 8 bar	3/4" BSPT	0.03 - 50 l/h	10 mm	Irrigation / Livestock / Chlorine / Car Wash / Industry / Acid	1.8 KG
0.4% - 4%	10 - 2500 l/h	0.2 - 8 bar	3/4" BSPT	0.04 - 100 l/h	16 mm	Irrigation / Livestock / Chlorine / Car Wash / Industry / Acid	1.8 KG
0.1% - 0.9% bypass	20 - 2500 l/h	0.2 - 8 bar	3/4" BSPT	0.02 - 22.5 l/h	8 mm	Irrigation / Livestock / Chlorine / Acid	1.9 KG
0.3% - 2% bypass	20 - 2500 l/h	0.2 - 8 bar	3/4" BSPT	0.06 - 50 l/h	10 mm	Irrigation / Livestock / Chlorine / Acid	1.9 KG
0.4% - 4% bypass	20 - 2500 l/h	0.2 - 8 bar	3/4" BSPT	0.08 - 100 l/h	16 mm	Irrigation / Livestock / Chlorine / Acid	1.9 KG
0.1% - 0.9% Internal bypass	20 - 2500 l/h	0.2 - 8 bar	3/4" BSPT	0.02 - 22.5 l/h	8 mm	Irrigation / Livestock / Chlorine / Acid	1.9 KG
0.3% - 2% Internal bypass	20 - 2500 l/h	0.2 - 8 bar	3/4" BSPT	0.06 - 50 l/h	10 mm	Irrigation / Livestock / Chlorine / Acid	1.9 KG
0.4% - 4% Internal bypass	20 - 2500 l/h	0.2 - 8 bar	3/4" BSPT	0.08 - 100 l/h	16 mm	Irrigation / Livestock / Chlorine / Acid	1.9 KG

* Low flow 7 l/h available in P0 model

Pressure Loss



Max. injection rate/h



MixRite Dosing Pumps

3.5 m³/h

MixRite 3.5

Technical Information

Water pressure	0.2 – 8 bar (2.9 – 116 psi)
Flow Rate	10 – 3500 l/h (0.04 – 15.4 GPM)
Working temp	4-40° C (39.2-104° F)
Coupling	3/4"

* Legs available upon request

Available options

Manual ON/OFF Hydraulic ON/OFF Electric ON/OFF



By Pass models



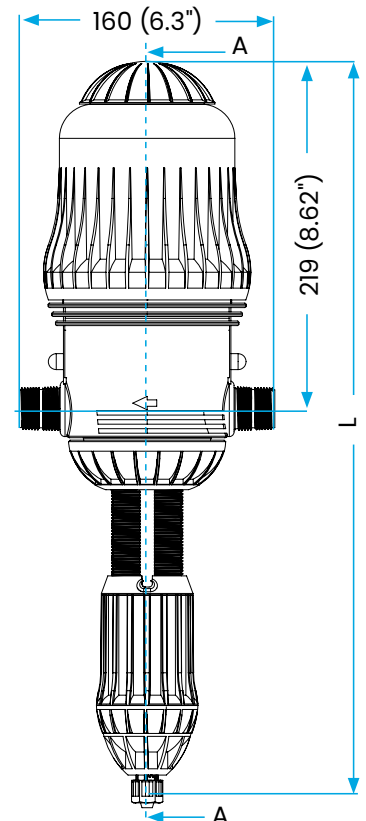
Internal bypass

*Yellow sleeve

Application Color Code

Application	Sleeve Color	TEFEN Code	Seal Material	Spring Material
Irrigation	Grey	STD	NBR	SST
Livestock	Red	PO	NBR, EPDM	SST, Hastelloy
Acids	White	PVDF	AFLAS	Hastelloy
Chlorine	Purple	CL	Viton	Hastelloy
Industry	Black	C	EPDM, AFLAS	SST, Hastelloy
Car Wash	Cyan	CW	AFLAS	SST, Hastelloy
By-Pass	Yellow	I / B	EPDM, AFLAS	SST, Hastelloy

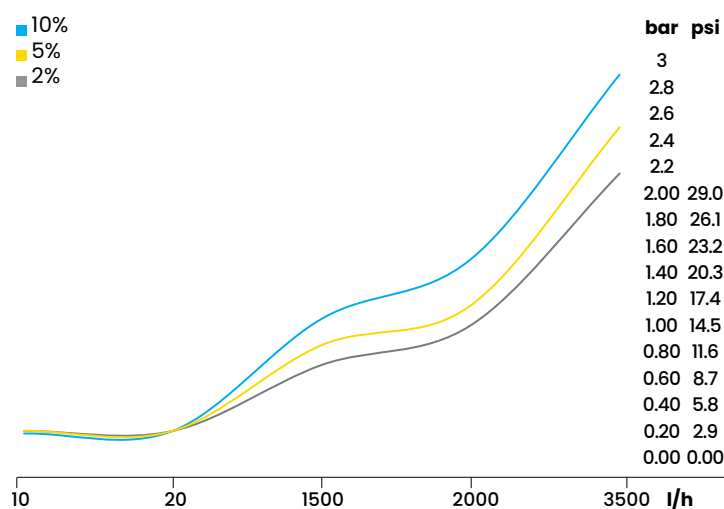
	L (High)	
	On/off	Air Release
Max.	551 (21.7")	486 (19.1")
Min.	471 (18.5")	447 (17.6")



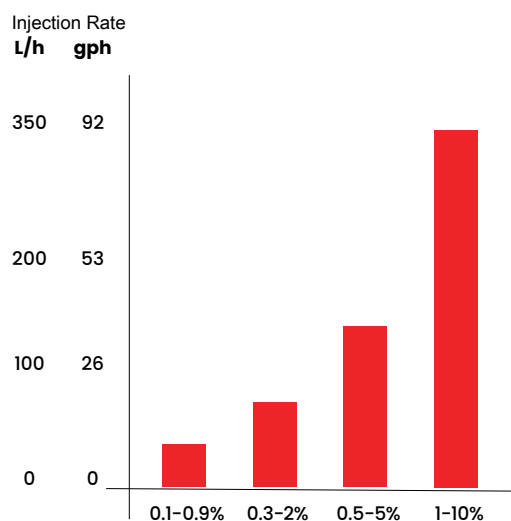
Application Range

Dosage Rate %	Flow Rate Range	Pressure Range	Connectors Dia. Thread	Min-Max Injection Rate Per Hour	Suction Tube Dia.	Applications	Gross weight std unit
0.03% - 0.2%	10-3500 l/h	0.2 - 8 bar	3/4" BSPT	0.003 -7 l/h	8 mm	Chlorine / Car Wash	1.9 KG
0.1% - 0.9%	10-3500 l/h	0.2 - 8 bar	3/4" BSPT	0.01 -31.5 l/h	8 mm	Irrigation / Chlorine / Car Wash / Acid	1.9 KG
0.3% - 2%	10-3500 l/h	0.2 - 8 bar	3/4" BSPT	0.03 - 70 l/h	10 mm	Irrigation / Livestock / Industry / Chlorine / Acid	1.9 KG
0.5% - 5%	10-3500 l/h	0.2 - 8 bar	3/4" BSPT	0.05 - 175 l/h	16 mm	Irrigation / Livestock / Industry / Chlorine / Acid	1.9 KG
1% - 10%	50-3500 l/h	0.2 - 8 bar	3/4" BSPT	0.5 - 350 l/h	19 mm	Industry / Chlorine / Car Wash / Acid	3.6 KG
1% - 10% I.B.P	50-3500 l/h	0.2 - 8 bar	3/4" BSPT	0.5 - 350 l/h	19 mm	Irrigation / Livestock / Chlorine / Acid	3.6 KG

Pressure Loss



Max. injection rate/h



MixRite Dosing Pumps

5 m³/h MixRite TF-5

Technical Information

Water pressure | 1 - 8 bar (14.5 - 116 PSI)
 Flow Rate | 0.1 - 5 m³/h (0.44 - 22 GPM)
 Working temp | 4-40° C (39.2-104° F)
 Coupling | 1" or 32 mm




* Legs available upon request

Available options

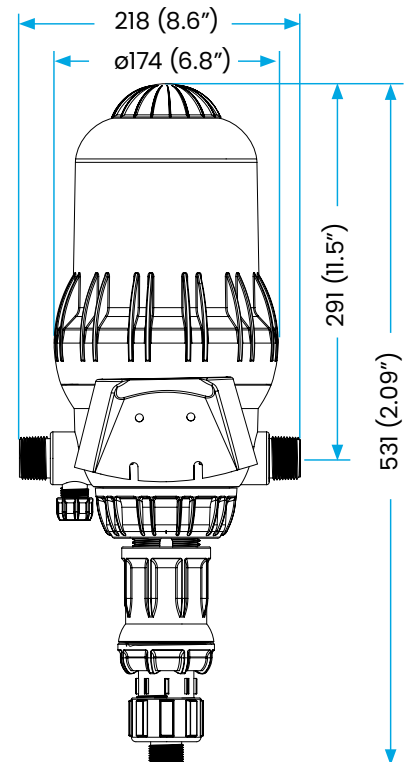
Manual ON/OFF Hydraulic ON/OFF Electric ON/OFF



Application Color Code

Application	Sleeve Color	TEFEN Code	Seal Material	Spring Material
Irrigation		STD	NBR	SST, Hastelloy
Livestock		PO	EPDM	SST, Hastelloy
Chlorine		CL	Viton	Hastelloy

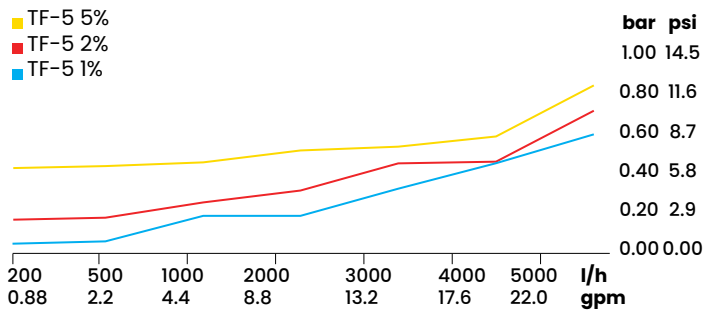
L (Height)	
On/Off	Air Release
Max. 680 (26.7")	595 (23.4")
Min. 585 (23")	545 (21.4")



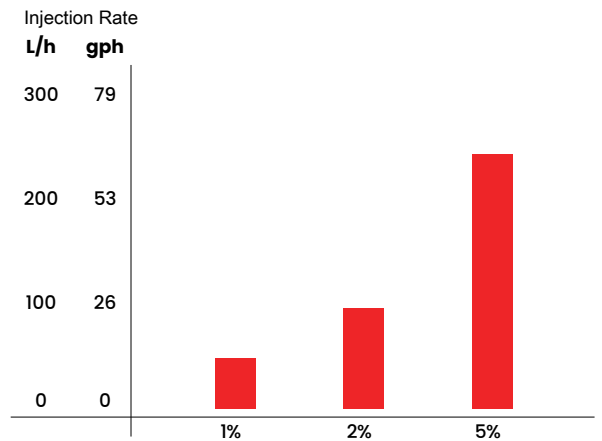
Application Range

Dosage Rate %	Flow Rate Range	Pressure Range	Connectors Dia. Thread	Min-Max Injection Rate Per Hour	Suction Tube Dia.	Applications	Gross weight std unit
0.1% - 1%	0.1 - 5 m ³ /h	1 - 8 bar	1" BSPT	0.1 - 50 l/h	16 mm	Irrigation / Chlorine / Livestock	5 KG
0.2% - 2%	0.1 - 5 m ³ /h	1 - 8 bar	1" BSPT	0.2 - 100 l/h	16 mm	Irrigation / Chlorine / Livestock	5 KG
0.5% - 5%	0.1 - 5 m ³ /h	1 - 8 bar	1" BSPT	0.5 - 250 l/h	19 mm	Irrigation / Chlorine / Livestock	5 KG

Pressure Loss



Max. injection rate/h



MixRite Dosing Pumps

10 m³/h MixRite TF-10

Technical Information

Water pressure	1 - 8 bar (14.7 - 116 PSI)
Flow Rate	0.1 - 10 m ³ /h (0.44 - 45 GPM)
Working temp	4-40° C (39.2-104° F)
Coupling	1.5" or 50 mm



* Legs available upon request

Available options

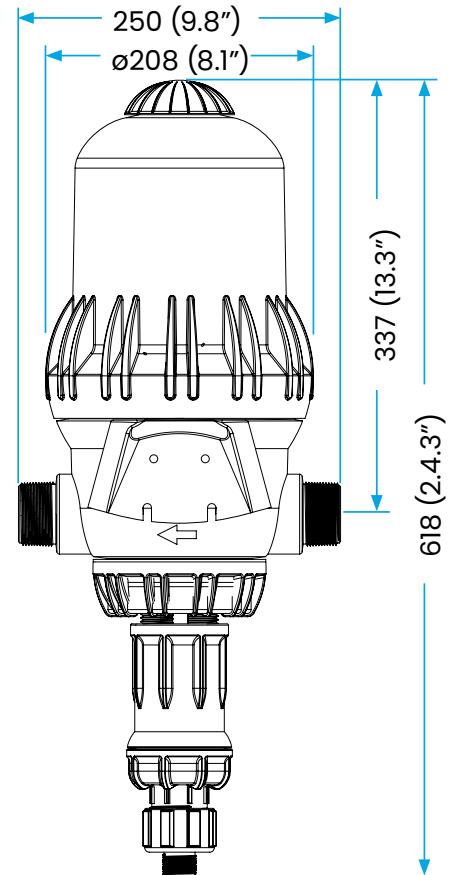
Manual ON/OFF	Hydraulic ON/OFF	Electric ON/OFF
		



Application Color Code

Application	Sleeve Color	TEFEN Code	Seal Material	Spring Material
Irrigation		STD	NBR	SST, Hastelloy
Chlorine		CL	Viton	Hastelloy

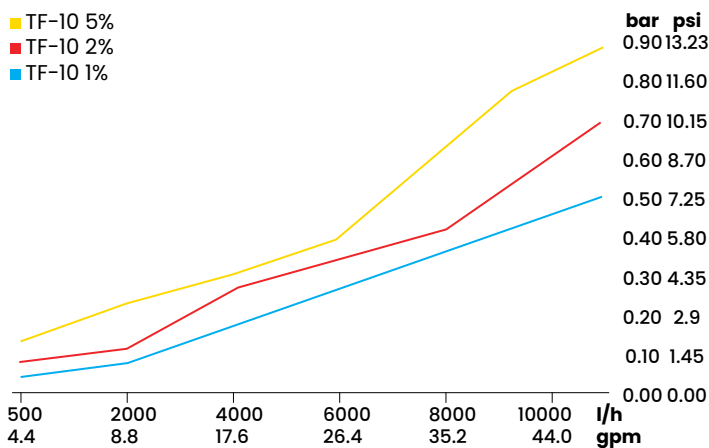
	L (Height)	
	On/Off	Air Release
Max.	760 (29.9")	660 (26")
Min.	720 (28.34")	625 (24.6")



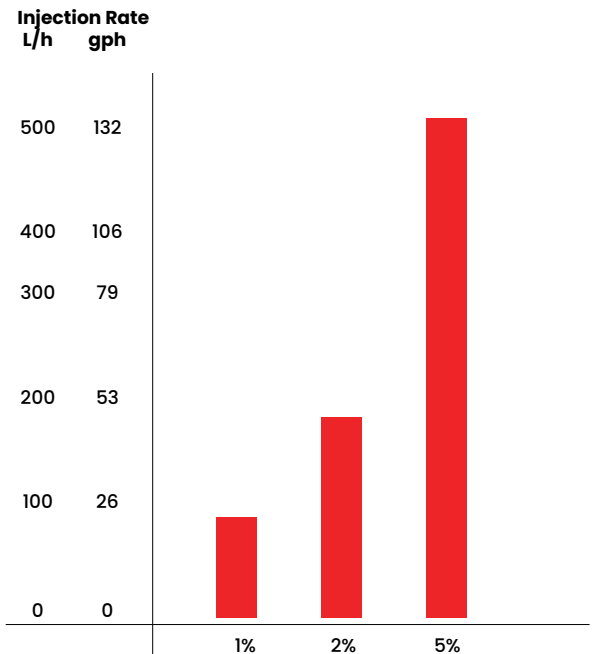
Application Range

Dosage Rate %	Flow Rate Range	Pressure Range	Connectors Dia. Thread	Min-Max Injection w Rate Per Hour	Suction Tube Dia.	Applications	Gross weight std unit
0.1% - 1%	0.1 - 10 m ³ /h	1 - 8 bar	1 1/2" BSPT	0.1 - 100 l/h	19 mm	Irrigation / Chlorine / Livestock	7.3 KG
0.2% - 2%	0.1 - 10 m ³ /h	1 - 8 bar	1 1/2" BSPT	0.2 - 200 l/h	19 mm	Irrigation / Chlorine / Livestock	7.3 KG
1% - 5%	0.1 - 10 m ³ /h	1 - 8 bar	1 1/2" BSPT	1 - 500 l/h	19 mm	Irrigation / Chlorine / Livestock	7.3 KG

Pressure Loss



Max. injection rate/h



MixRite Dosing Pumps

25 m³/h MixRite TF-25

Technical Information

Water pressure	1 - 8 bar (14.7 - 120 PSI)
Flow Rate	0.2 - 25 m ³ /h (0.9-110 GPM)
Working temp	4-40° C (39.2-104° F)
Coupling	2" or 63 mm



* Legs - Standard supply

Available options

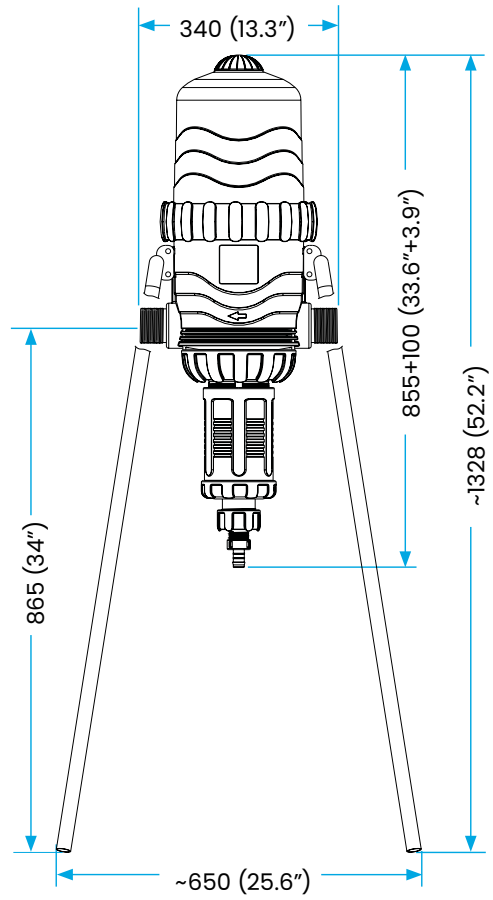
Manual ON/OFF	Hydraulic ON/OFF	Electric ON/OFF
		



Application Color Code

Application	Sleeve Color	TEFEN Code	Seal Material	Spring Material
Irrigation		STD	NBR	SST, Hastelloy
Chlorine		CL	Viton	Hastelloy

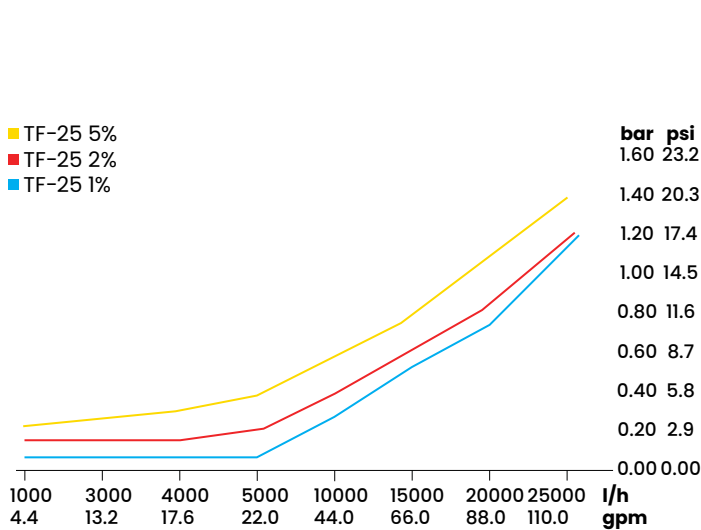
	L (Height)	
	On/Off	Air Release
Max.	1030 (40.5")	1000 (39.3")
Min.	880 (34.6")	900 (35.4")



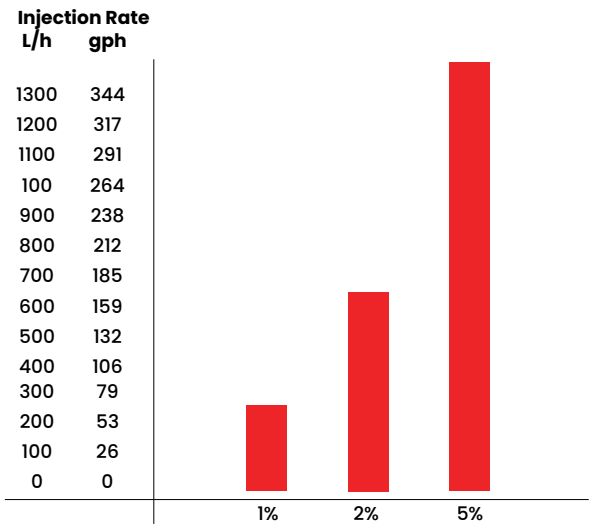
Application Range

Dosage Rate %	Flow Rate Range	Pressure Range	Connectors Dia. Thread	Min-Max Injection Rate Per Hour	Suction Tube Dia.	Applications	Gross weight std unit
0.1% - 1%	0.2 - 25 m ³ /h	1 - 8 bar	2" BSPT	0.2 - 250 l/h	25 mm	Irrigation / Chlorine / Livestock	18.5 KG
0.3% - 2.5%	0.2 - 25 m ³ /h	1 - 8 bar	2" BSPT	0.6 - 625 l/h	25 mm	Irrigation / Chlorine / Livestock	18.5 KG
1% - 5.5%	0.2 - 25 m ³ /h	1 - 8 bar	2" BSPT	2.0 - 1375 l/h	25 mm	Irrigation / Chlorine / Livestock	18.5 KG

Pressure Loss



Max. injection rate/h



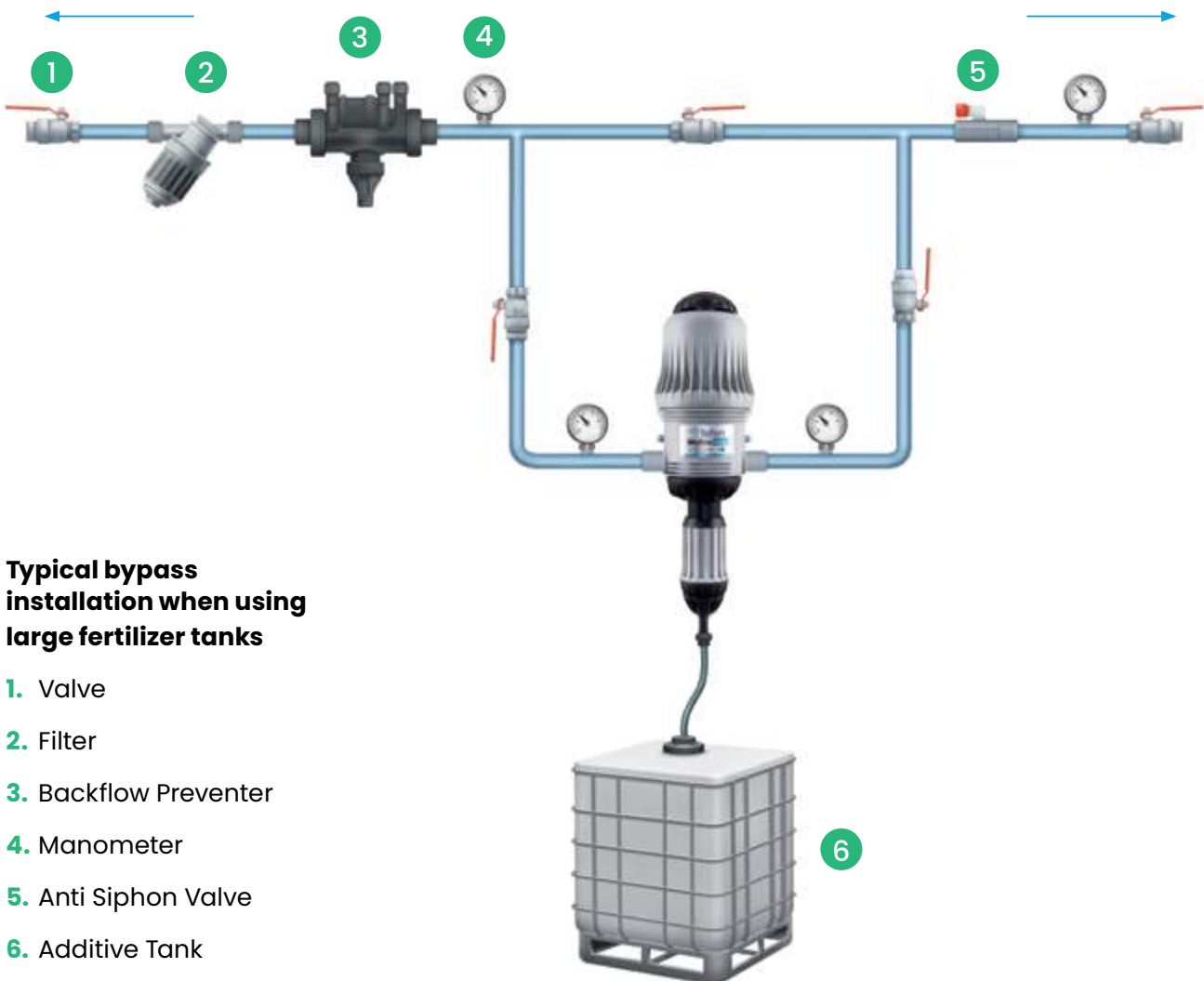
MixRite Dosing Pumps

Typical installation

Available option

Tefen's Mixrite offers pumps for a variety of applications such as: cost effective fertilizing, adding medication for livestock, cleaning or disinfecting fluid lines, car washing, sanitizing

water systems and more. MixRite offers a wide range of sizes and flow rates, and can be installed in a broad array of system configurations, besides being put.



Accessories



3/4" Anti Siphon Kit

Cat. No. 36073008002



Legs

Compatible with 2.5 & 3.5 models
Cat. No. 35100000064



Plastic Wall Mounting Bracket

Cat No. 36030162765
For all 3/4 MixRite models



Pressure Check Socket



3/4" Water Filter

Cat. No. 38000000172



Plastic Wall Mounting Bracket and Stand Base

Cat No. 35125011872
For MixRite TF5 & TF10 models



Manual ON/OFF Option



Stainless Steel Wall Mounting Bracket

Cat No. 35000000010
For MixRite TF25 models



Hydraulic Remote Control ON/OFF Option



Pulse Transmitter

TreatRite – Water Treatment Line

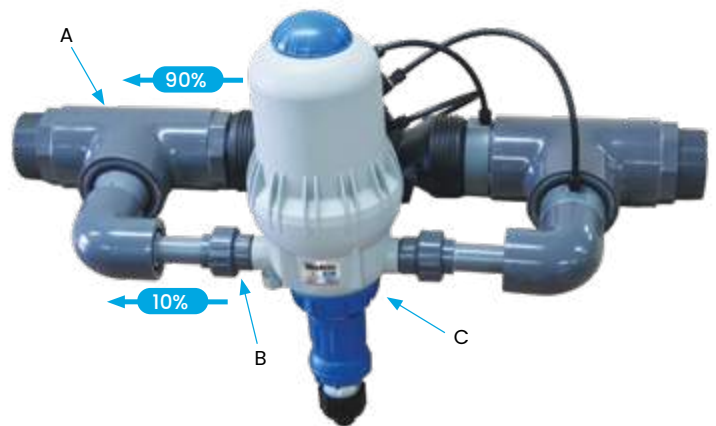
Proportional and Automatic Bypass System

The TreatRite™ system provides a proportional method between the mainline (A) and the sub-mainline (B), supported by a sophisticated innovative hydraulic system.

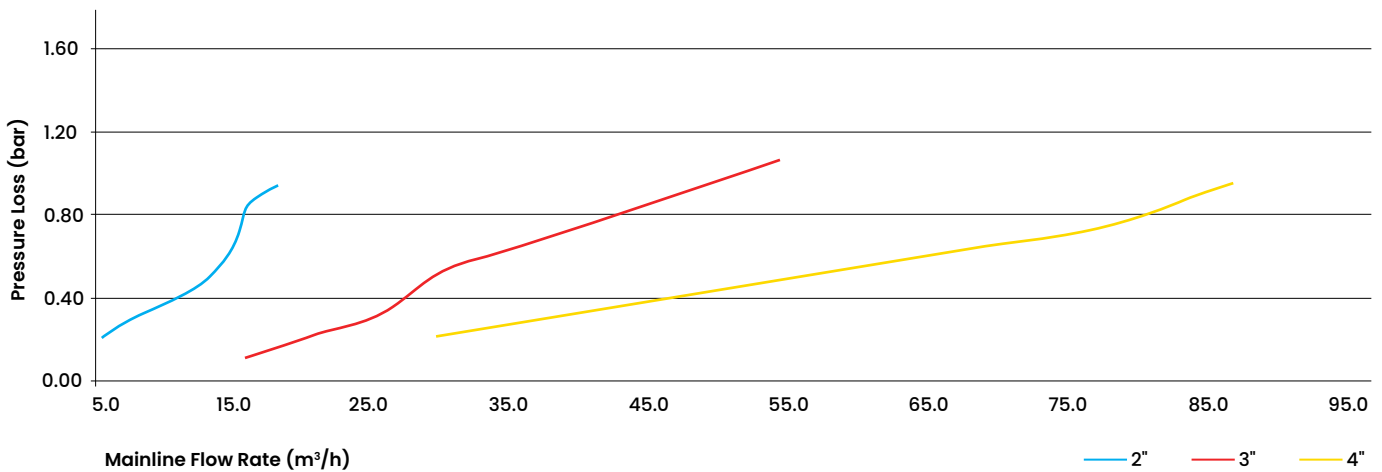
The MixRite™ pump is a volumetric, proportional unit. The combination between the MixRite™ Dosing Pump and the By-Pass unit creates a fully proportional dosing system.

This concept provides its user a perfect solution for water treatment. The end user of the TreatRite™ system can dose common additives for water treatment, such as: Sodium Hypochlorite, Chlorine Dioxide, and Hydrogen Peroxide.

The TreatRite™ system can be operated in various ranges as shown:



Pressure Loss VS. Flow Rate



Flow Range m³/h	Dosage Range		A	B	C
	(%)	L/h			
6-25	0.003-1	0.18-250	2"	3/4"	MixRite™ 2.5/3.5
15-50	0.01-0.5	1.5-250	3"	1"	MixRite™ TF5
30-100	0.01-0.5	3-500	4"	1 1/2"	MixRite™ TF10

MixRite™ range:

2.5



3.5



TF-5



TF-10



Operating Principle:

- The pilot operating valve samples the pressure level at multiple points, and controls the opening condition of the diaphragm.
- This operation governs the flow rates to generate a stable 1:10 ratio between lines.

Case Study (Water Treatment)

- Total water flow rate: 67.3 m³/h
- Desired dosage rate: 0.1%
- Additive amount: 67.3 x 0.1% = 0.0673 m³/h
- Relevant configuration: 4", 1.5"
- Main line water flow: 67.3 x 0.9 = 60.57 m³/h
- By-Pass water flow: 67.3 x 0.1 = 6.73 m³/h
- Relevant injector: TF10 0.2%-2%
- Dosage setting on injector: 0.0673 / 6.73 = 1%

Features and Benefits

- Keeps constant proportional flow rate
- Hydraulic, volumetric and non-electric
- Dosing proportional to flowrate
- Precision: surface quality optimized with no waste
- Flow rate between main line and sub-main line will remain 10:1 at wide flow rates
- Working pressure up to 8 bar (116 PSI)
- High UV resistance
- High chemical resistance
- Supplied pre - set. no need for calibration
- Excellent dosing repeatability and homogeneity
- Easy to install, operate and maintain, with no electricity risk

Watch Guard – Ultra Lean Dilution

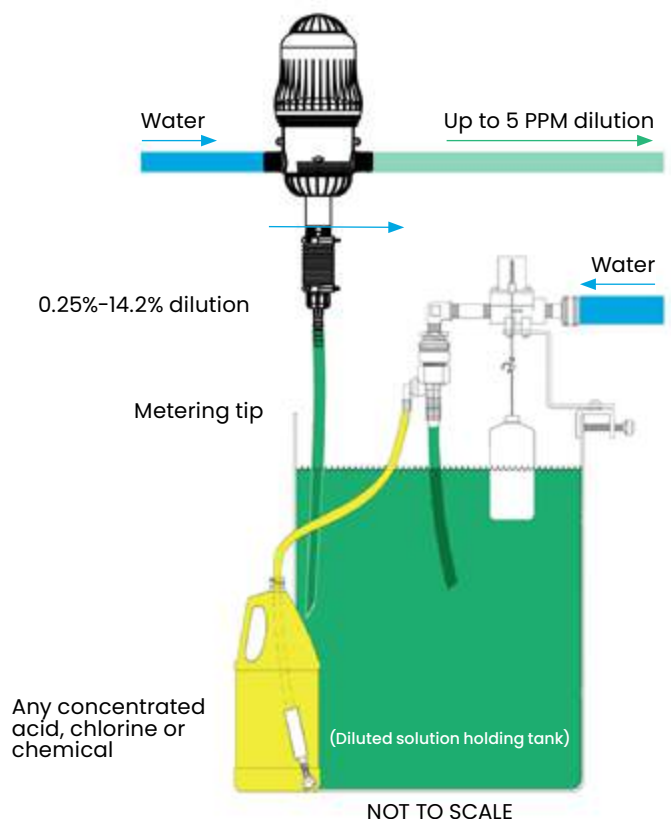
Watch Guard Reservoir Float System and MixRite Water Driven Injectors



Watch Guard is the premier reservoir float valve dilution system designed to deliver diluted solutions into any drum, tote or other reservoir. Attached to a standard water supply, Watch Guard automatically activates and keeps the reservoir filled ensuring a constant supply of diluted solution for the MixRite system.

MixRite water driven injectors attach in-line to the water supply and use water pressure to accurately dilute solutions regardless of flow or pressure changes. When the Watch Guard is used in combination with any MixRite, ultra-lean dilutions as low as 5 parts per million are achievable.

- Achieve accurate ultra-lean dilution in 2 easy steps
- Effective with acid, chlorine and most any chemical
- Watch Guard is simple to mount on any drum, tote or other reservoir
- Automatically activates to keep reservoir full of diluted solution
- Metering tip included for dilutions from 0.25% to 14.2%
- Includes ASSE 1055B approved action gap backflow preventer
- MixRite attaches in-line to the water supply
- Delivers accurate proportioning regardless of water flow or pressure changes
- Multiple models available for injection rates from 1% to 10% and water flow from 227 – 25000 liter per hour



Induction Ratios for Viscosities Shown

Metering Tip Color	1 cps	75 cps	200 cps
Tan	0.26%	0.20%	0.09%
Orange	0.33%	0.23%	0.14%
Turquoise	0.39%	0.26%	0.15%
Pink	0.61%	0.43%	0.24%
Clear	0.68%	0.52%	0.26%
Brown	0.78%	0.57%	0.29%
Red	1.08%	0.71%	0.35%
White	1.19%	0.78%	0.38%
Green	1.35%	0.95%	0.41%
Blue	1.67%	0.99%	0.42%
Yellow	2.38%	1.33%	0.44%
Black	3.57%	1.56%	0.45%
Purple	5.88%	1.89%	0.46%
Gray	7.69%	2.00%	0.49%
No tip	14.29%	2.50%	0.53%

MixRite Dilution Ratios when combined with Watch Guard unit

What is the dilution ration you are trying to achieve	ppm	5	8	16	22	33	154	286	0.2%	500-1	Set Mixrite to the following ratio / percentage
	ppm	8	12	23	32	50	231	429	0.3%	333-1	
	ppm	13	20	39	54	83	385	714	0.5%	200-1	
	ppm	50	31	61	84	130	601	1116	0.8%	128-1	
	ppm	26	39	78	108	167	769	1429	1.0%	100-1	
	ppm	32	49	98	134	208	962	1786	1.3%	80-1	
	ppm	39	59	118	163	253	1166	2165	1.5%	66-1	
	ppm	45	69	137	189	292	1350	2506	1.8%	57-1	
	ppm	52	78	156	215	333	1538	2857	2.0%	50-1	
Use Watch Guard with corresponding tip	Tan	Turquoise	Brown	Red	Blue	Gray	No Tip	Percentage	Ratio		

Final Dilution with PPM is of the total chemical injected, not the active ingredient in chemical.

For example, if chemical is 10% active ingredient and final dilution is 100 PPM, then active ingredient PPM is 10.

MixRite Electric Control

Electric On/Off Control for Hydraulic Pumps

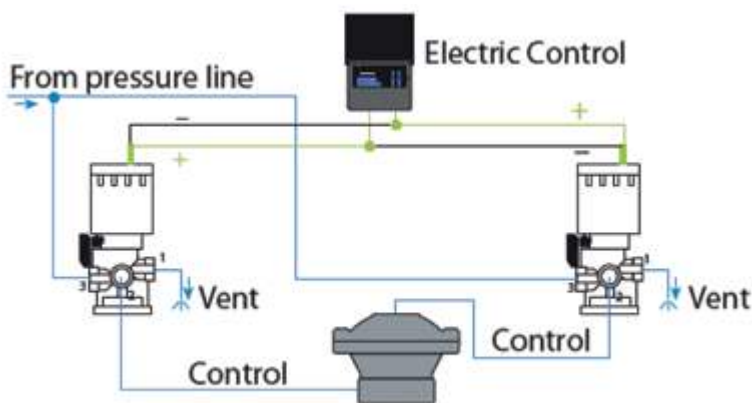
- MixRite Dosing Pump can be turned on and off via the irrigation control system
- System suits irrigation systems with a direct flow (DC) or an alternative flow (AC)
- System includes electric on/off kit. The device kit is installed on the pump's cover.
- Electrically controlled hydraulic pump can be converted to electrically controlled pump by replacing the cover with a cover with electric on/off



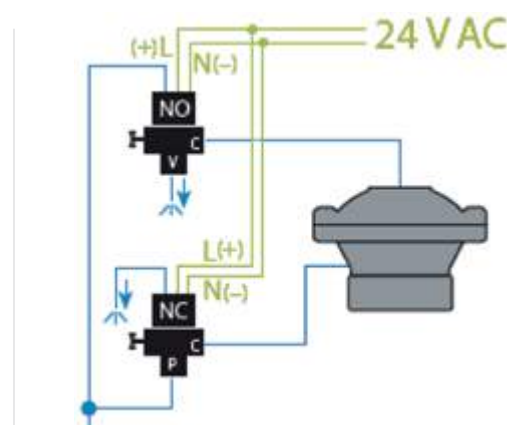
Available Models:

- A. A. Hydraulic remote control On Off for MixRite and TF models by Tefen.
- B. B. Hydraulic Electric On Off 24 VAC operated.
- C. C. Hydraulic Electric On Off 12 - 40 VDC Latch or battery operated Irrigation controllers.

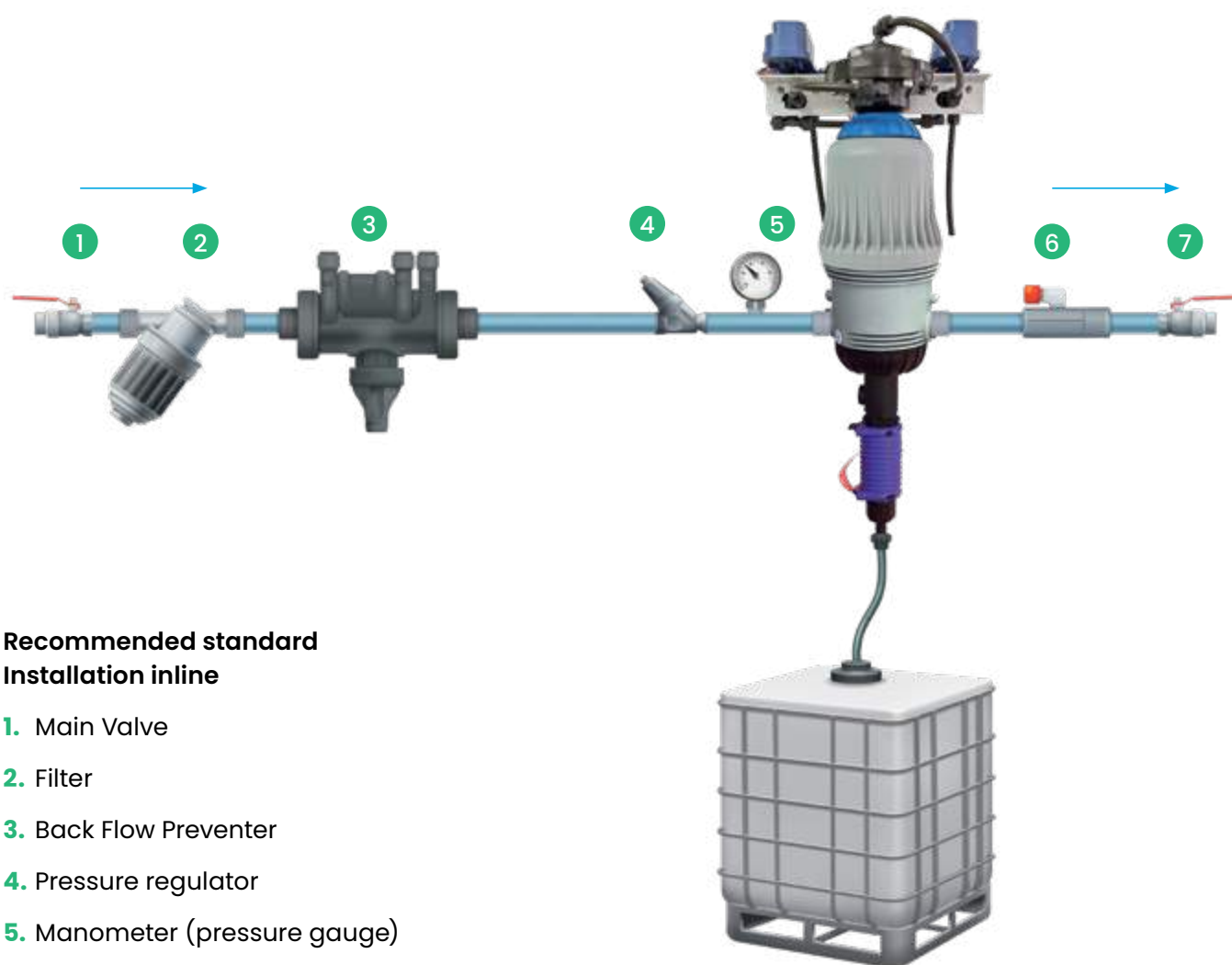
12-40 V DC Latch (pulse)



24 V AC Configuration



Directly installed MixRite Pump can be controlled by irrigation control system



Recommended standard Installation inline

1. Main Valve
2. Filter
3. Back Flow Preventer
4. Pressure regulator
5. Manometer (pressure gauge)
6. Anti Siphon Valve
7. Operation Valve

MixRite Electric Pumps

MixRite E-300

The electric dosing pump by Tefen Flow & Dosing Technologies.

Tefen's MixRite E-300 electric dosing pump directly injects liquid additives into water lines.

The MixRite E-300 operates against water line-pressure of up to 5 Bar.



Main Advantages

- Handles a variety of chemicals with a large range of flow rates
- Input 12VDC, 16 AMP
- Zero pressure loss along the water line
- Can be powered using mains electricity 220 VAC or alternative network power sources, such as car battery and solar panel charged batteries
- Easy to install and operate
- Strong and durable external polycarbonate cover which is waterproof and UV-resistant
- Very low maintenance

Fertilizer Pump - 2 Modes of Operation

Manual operation

- The pump can be operated at the desired level of injection
- Volume scale ranging between 10-100% of the maximum flow rate
- High repetition capabilities, maintaining the same volume until defined otherwise

Automatic option using irrigation controller*

- The pump stops and starts according to operation of input.
- The dosing will be fully proportional

* Irrigation Controller is not included in the kit

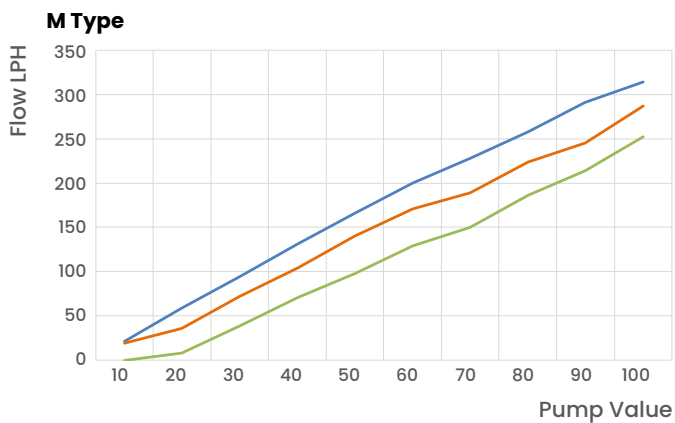
Each pump comes with:

1. 10m pipe (Ø12mm) with BSPT 1/2" connector
2. Input kit
3. Output kit with air release valve & check valve

Simple and Low Cost Installation

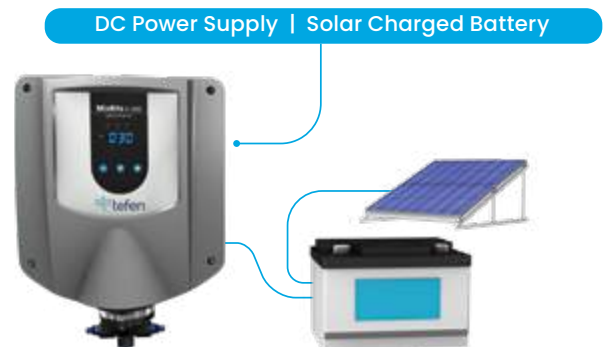


Average Injection Flow Rate



M Type - L/H			
Pump value	2 bar	4 bar	5 bar
10	21		
20	49	32	
30	86	64	39
40	120	94	71
50	153	125	98
60	181	151	129
70	205	168	150
80	236	191	186
90	266	234	214
100	301	256	252

Two Models



MixRite Electric Pumps

InjectRite™

Proportional Peristaltic Pump

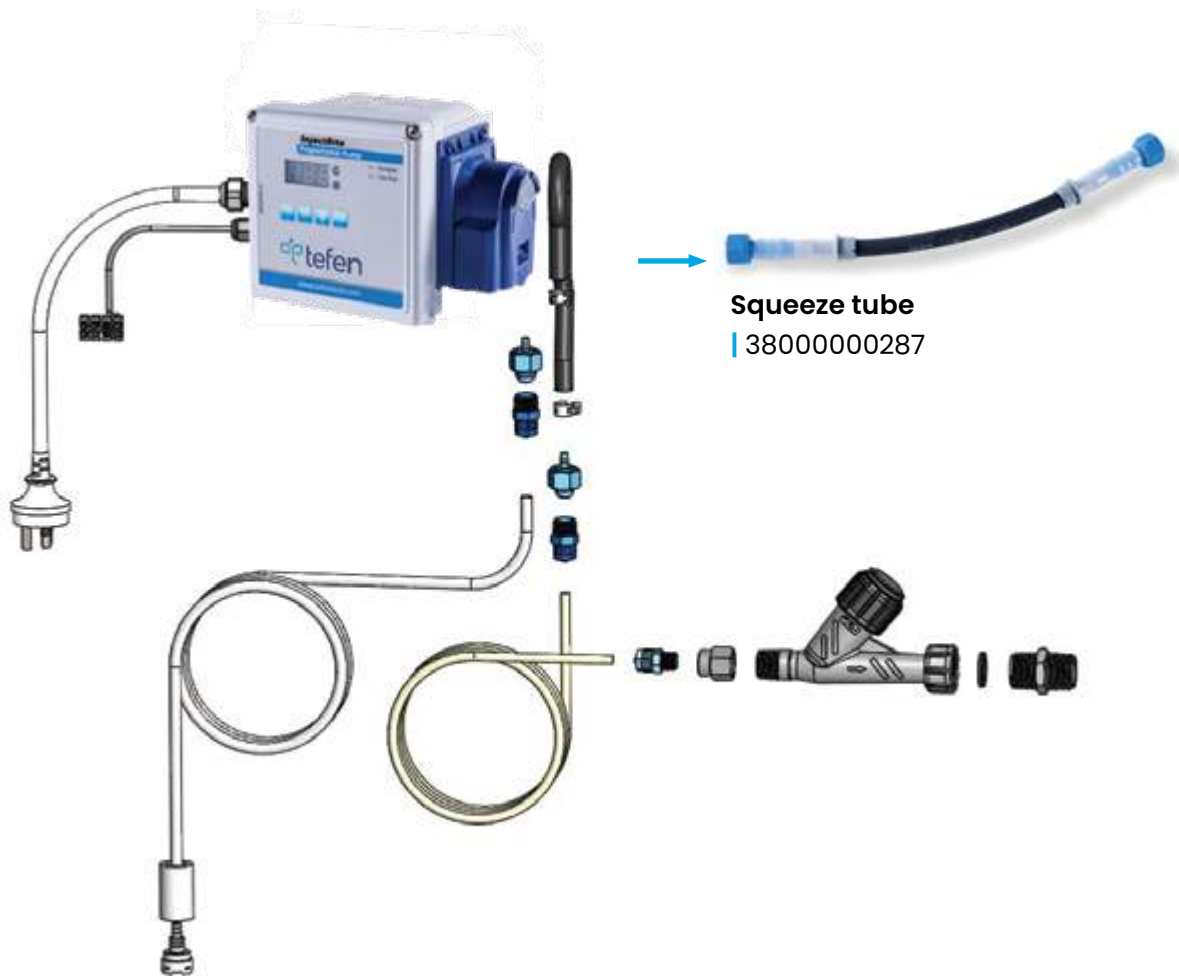
Features and Benefits

- Ensures continuous and homogeneous solution during water system operation
- High accuracy and repeatability
- Fast dosage adjust-ability for both low and high flow rates
- Excellent aggressive chemical resistance
- Optional connection of additional pump to the water meter for parallel operation which enables usage of additive 2 types & ensures increased additive amount.
- Easy and fast maintenance - easy tube replacement



- NOT affected by water quality
- Smart, simple electronic interface
- Error identification system for: overflow, lack of signal water meter
- Peristaltic pump set includes: squeeze tube, suction tube, check valve & discharge tube
- Sensor that indicates lack of flow is located in the suction tube (option)

Mainline flow rate l/h	20 min, 2000 max (according to water meter signal output)
Dosage rates	0.2%, 0.25%, 0.5%, 0.75%, 1.0%, 1.25%, 1.5%, 1.75%, 2.0%
Max. Counter pressure bar	1.5
Max. injected volume	10 l/h
Hydraulic connections	3/4" bspt
Power	220v (110v)
Tube material	santoprene
Operation trigger	dry pulse (from water meter)
Water meter output	eu - 1 pulse per liter

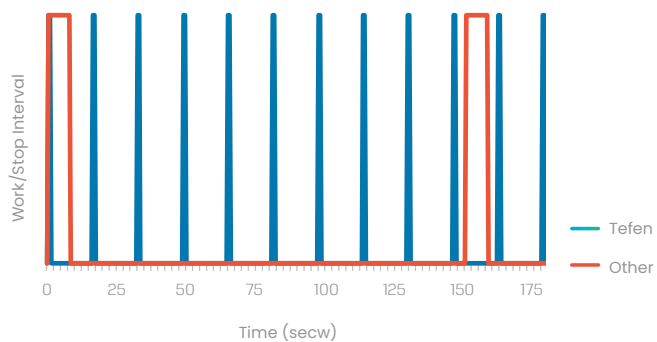


Choosing the Dosing Percentage

Dosage %	Injected Volume l/h					
2%	0.40	2.00	10.00			
1.75%	0.35	1.75	8.75			
1.5%	0.30	1.50	7.50			
1.25%	0.25	1.25	6.25			
1%	0.20	1.00	5.00	10.00		
0.75%	0.15	0.75	3.75	7.50		
0.5%	0.10	0.50	2.50	5.00	7.50	10.00
0.25%	0.05	0.25	1.25	2.50	3.75	5.00
0.2%	0.04	0.20	1.00	2.00	3.00	4.00
	20	100	500	1000	1500	2000
	Main Line Flow Rate - l/h					

Duty Cycle (at low flows)

Cycle of the pump @ low flows



Reading the pulses in high frequency provides optimal and homogeneous solution.



Tefen Flow & Dosing Technologies Ltd.

Kibbutz Nahsholim, 3081500 Israel | Tel. 972 4 6395554 | info@tefentech.com | tefentech.com

For the removal of any doubt, this documents does not constitute an offer on the part of Tefen and/or any undertaking on its part. Tefen may change the content of this document and/or the technical specifications of the products and/or add and/or remove products and/or change prices and/or any terms and conditions specified in this document at any time and upon its sole discretion without any prior notice.



ISO 9001
2015 certified