

# MixRite<sup>™</sup> Spare Parts Kits



Industry/Livestock/Irrigation



SCAN FOR TEFEN APP



Irrigation



Industry



Water  
Treatment



Degreasing



Sanitation

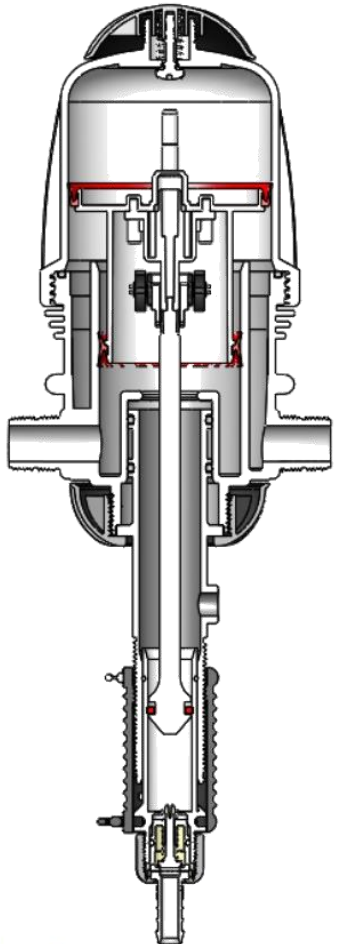


Animal Health

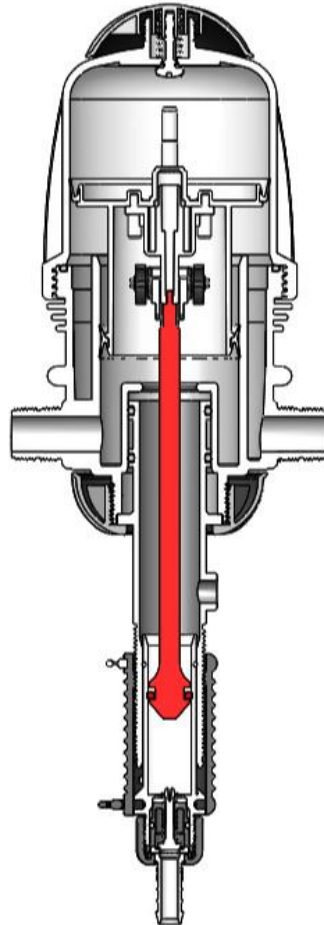


## Keep your business flowing

**KIT – A  
Seal**



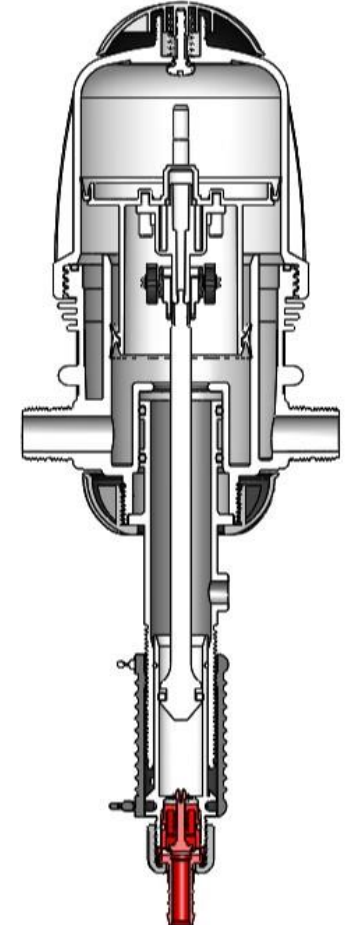
**KIT – B  
Piston**



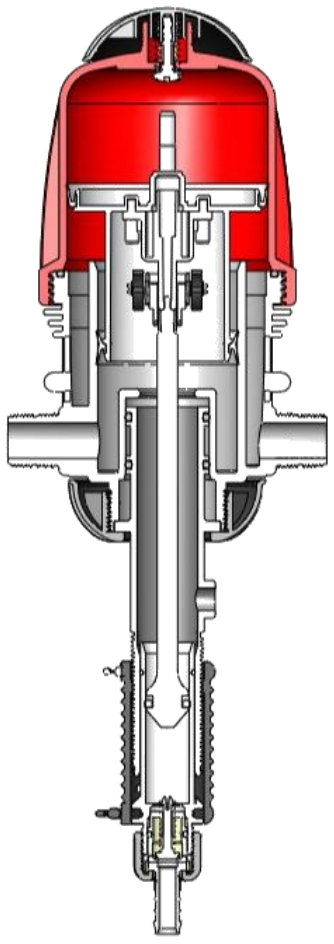
**KIT – C  
Suction**



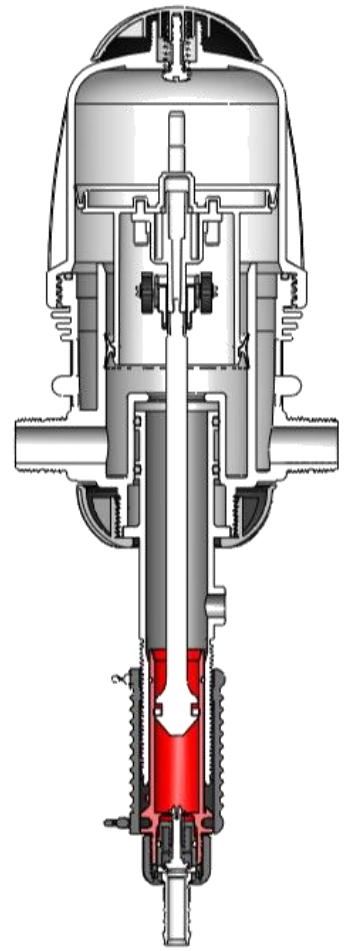
**KIT – D  
Check Valve**



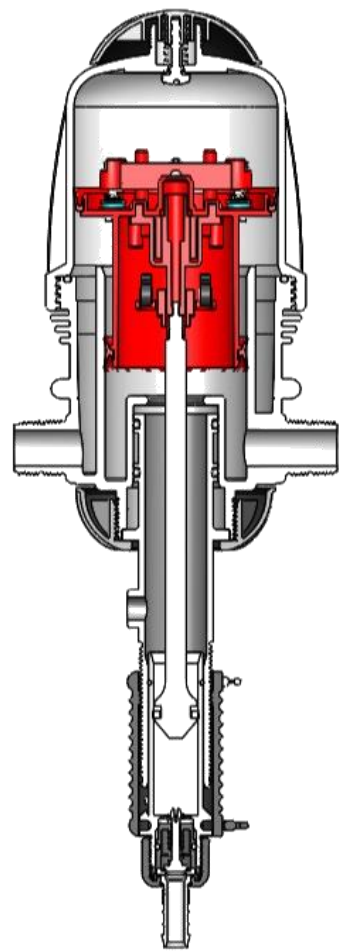
**KIT - I**  
**Cover**



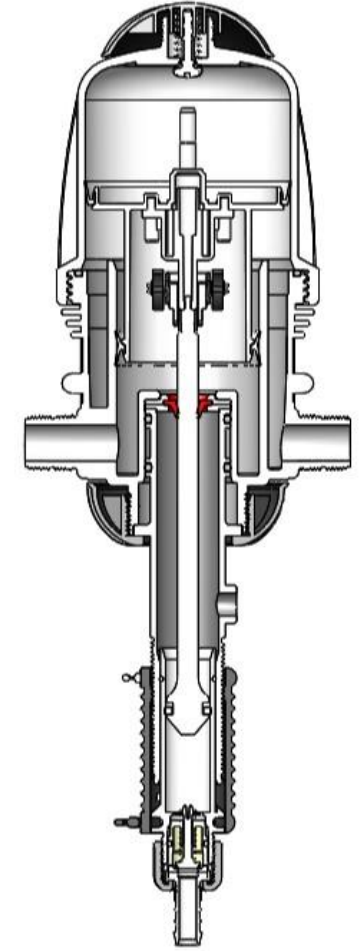
**KIT - F**  
**Cylinder**



**KIT - G**  
**Motor**



**KIT - H**  
**Bypass Seal**



# MixRite 1 Product Configuration Spare Parts Kits



PUMP CODE	1-2	3-4	5-6	7	8-9	10-11
<b>Fixed Prefix</b>	28=Pumps	01=MixRite 1, 3/4 BSPT	01=0.1%-0.9%	0=air release	00=Standard	00=Standard
<b>Pump model + connector thread (BSP/NPT/Compression)</b>		02=MixRite 2.5, 3/4"BSPT	02=0.3%-2%=(32)	1=ON/OFF	P0=Poultry	
		03=TF5, 1" NPT	04=0.4%-4%		C0=Industry	
		04=TF 5, 1"BSPT	05=0.5%-5%		CL=Chlorine	
		05=TF5, 32mm	10=1%-10%		CW=Car wash	
		08=TF10, 1 1/2 NPT	11=1% Fix		IV=PVDF	
		09=TF10, 1 1/2 BSPT	15=0.7%-1.5%		IO=Internal By Pass	
		10=TF10, 50mm	21=0.03%-0.2%		B0=External By Pass	
		23=TF25, 2" NPT	22= 0.2 Fix		HB-hybrid	
		24=TF25, 2"BSPT	28= 0.8 Fix=(38)			
		25=TF25, 63mm				
		30=MixRite 3.5, 3/4"BSPT				
<b>Dosage %</b>						
<b>Cover option</b>						
<b>Application</b>						
<b>Additional information</b>						



For the removal of any doubt, this documents does not constitute an offer on the part of Tefen and/or any undertaking on its part. Tefen may change the content of this document and/or the technical specifications of the products and/or add and/or remove products and/or change prices and/or any terms and conditions specified in this document at any time and upon its sole discretion without any prior notice.

# MixRite 1 STD Spare Parts Kits



MixRite

Cat. No.	KIT # %	A Seal	B Suction Piston	C Suction Tube	D Check Valve	F Cylinder	G Motor
280102200XX	0.2% FIX	36100000003	36100000022	36000000036	36000000256		36100000005
	Recommended sets per dosing pump	100/100	5/100	10/100	10/100	10/100	5/100



For the removal of any doubt, this documents does not constitute an offer on the part of Tefen and/or any undertaking on its part. Tefen may change the content of this document and/or the technical specifications of the products and/or add and/or remove products and/or change prices and/or any terms and conditions specified in this document at any time and upon its sole discretion without any prior notice.

# MixRite 1 CL Spare Parts Kits



Cat. No.	KIT # %	A Seal	B Suction Piston	C Suction Tube	D Check Valve	F Cylinder	G Motor
280101XCLXX	0.1%-1%	36100000001	36100000019	36000000036	36000000256	36100000013	36100000005
280102XCLXX	0.2%-2%	36100000002	36100000020	36000000036	36000000256	36100000014	36100000005
280104XCLXX	0.4%-4%	36100000004	36100000021	36000000024	36000000257	36100000015	36100000005
2801022CLXX	0.2% FIX	36100000003	36100000022	36000000036	36000000256		36100000005
	Recommended sets per dosing pump	100/100	5/100	10/100	10/100	10/100	5/100



For the removal of any doubt, this documents does not constitute an offer on the part of Tefen and/or any undertaking on its part. Tefen may change the content of this document and/or the technical specifications of the products and/or add and/or remove products and/or change prices and/or any terms and conditions specified in this document at any time and upon its sole discretion without any prior notice.

# MixRite 2.5 STD Spare Parts Kits



Cat. No.	KIT # %	A Seal	B Suction Piston	C Suction Tube	D Check Valve	F Cylinder	G Motor	H Bypass seal
280222X00XX	0.2% FIX	36000000207	36000000043	36000000036	36000000260		36000000208	
280228X00XX	0.8% FIX	36000000204	36000000047	36000000024	36000000261		36000000208	
280201X00XX	0.1%–0.9%	36000000210	36000000091	36000000036	36000000260	36000000167	36000000208	
280202X00XX	0.3%–2%	36000000204	36000000049	36000000024	36000000261	36000000007	36000000208	
280204X00XX	0.4%–4%	36000000205	36000000050	36000000021	36000000263	36000000177	36000000208	
	Recommended sets per dosing pump	100/100	5/100	10/100	10/100	10/100	5/100	5/100



For the removal of any doubt, this documents does not constitute an offer on the part of Tefen and/or any undertaking on its part. Tefen may change the content of this document and/or the technical specifications of the products and/or add and/or remove products and/or change prices and/or any terms and conditions specified in this document at any time and upon its sole discretion without any prior notice.

# MixRite 2.5 PO Spare Parts Kits



Cat. No.	KIT # %	A Seal	B Suction Piston	C Suction Tube	D Check Valve	F Cylinder	G Motor	H Bypass seal
280228XP0XX	0.8% FIX	36000000204	36000000047	36000000024	36000000261		36000000203	
280201XP0XX	0.1%–0.9%	36000000210	36000000091	36000000036	36000000260	36000000166	36000000203	
280202XP0XX	0.3%–2%	36000000204	36000000049	36000000024	36000000261	36000000087	36000000203	
280204XP0XX	0.4%–4%	36000000205	36000000050	36000000021	36000000263	36000000003	36000000203	
	Recommended sets per dosing pump	100/100	5/100	10/100	10/100	10/100	5/100	5/100



For the removal of any doubt, this documents does not constitute an offer on the part of Tefen and/or any undertaking on its part. Tefen may change the content of this document and/or the technical specifications of the products and/or add and/or remove products and/or change prices and/or any terms and conditions specified in this document at any time and upon its sole discretion without any prior notice.



# MixRite 2.5 CL Spare Parts Kits



Cat. No.	KIT # %	A Seal	B Suction Piston	C Suction Tube	D Check Valve	F Cylinder	G Motor	H Bypass seal
280228XCLXX	0.8% FIX	36000000204	36000000047	36000000024	36000000261		36000000201	
280201XCLXX	0.1%-0.9%	36000000210	36000000091	36000000036	36000000260	36000000088	36000000092	
280202XCLXX	0.3%-2%	36000000204	36000000049	36000000024	36000000261	36000000094	36000000092	
280204XCLXX	0.4%-4%	36000000205	36000000050	36000000021	36000000263	36000000108	36000000092	
	Recommended sets per dosing pump	100/100	5/100	10/100	10/100	10/100	5/100	5/100



For the removal of any doubt, this documents does not constitute an offer on the part of Tefen and/or any undertaking on its part. Tefen may change the content of this document and/or the technical specifications of the products and/or add and/or remove products and/or change prices and/or any terms and conditions specified in this document at any time and upon its sole discretion without any prior notice.

# MixRite 2.5 CW Spare Parts Kits



Cat. No.	KIT # %	A Seal	B Suction Piston	C Suction Tube	D Check Valve	F Cylinder	G Motor	H Bypass seal
280201XCWXX	0.1%-0.9%	36000000210	36000000091	36000000036	36000000260	36000000199	36000000221	
280202XCWXX	0.3%-2%	36000000204	36000000049	36000000024	36000000261	36000000172	36000000221	
280204XCWXX	0.4%-4%	36000000205	36000000050	36000000021	36000000263	36000000173	36000000221	
	Recommended sets per dosing pump	100/100	5/100	10/100	10/100	10/100	5/100	5/100



For the removal of any doubt, this documents does not constitute an offer on the part of Tefen and/or any undertaking on its part. Tefen may change the content of this document and/or the technical specifications of the products and/or add and/or remove products and/or change prices and/or any terms and conditions specified in this document at any time and upon its sole discretion without any prior notice.

# MixRite 2.5 BP Spare Parts Kits

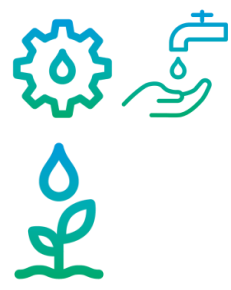


Cat. No.	KIT # %	A Seal	B Suction Piston	C Suction Tube	D Check Valve	F Cylinder	G Motor	H Bypass seal
280201XB0XX	0.1%-0.9%	36000000210	36000000091	36000000036	36000000260	36000000166	36000000203	36000000056
280201XI0XX	0.1%-0.9%	36000000210	36000000091	36000000036	36000000256	36000000166	36000000203	36000000056
280202XB0XX	0.3%-2%	36000000204	36000000049	36000000024	36000000257	36000000087	36000000203	36000000056
280202XI0XX	0.3%-2%	36000000204	36000000049	36000000024	36000000257	36000000172	36000000203	36000000056
280204XB0XX	0.4%-4%	36000000205	36000000050	36000000021	36000000259	36000000108	36000000203	36000000056
	Recommended sets per dosing pump	100/100	5/100	10/100	10/100	10/100	5/100	5/100



For the removal of any doubt, this documents does not constitute an offer on the part of Tefen and/or any undertaking on its part. Tefen may change the content of this document and/or the technical specifications of the products and/or add and/or remove products and/or change prices and/or any terms and conditions specified in this document at any time and upon its sole discretion without any prior notice.

# MixRite 2.5 PVDF Spare Parts Kits



Cat. No.	KIT # %	A Seal	B Suction Piston	C Suction Tube	D Check Valve	F Cylinder	G Motor	H Bypass seal
280201XIVXX	0.1%-0.9%	36000000095	36000000148	36000000149	36000000256	36000000199	36000000136	
280202XIVXX	0.3%-2%	36000000093	36000000138	36000000139	36000000257	36000000172	36000000136	36000000164
280204XIVXX	0.4%-4%	36000000096	36000000133	36000000137	36000000258	36000000173	36000000136	36000000164
	Recommended sets per dosing pump	100/100	5/100	10/100	10/100	10/100	5/100	5/100



For the removal of any doubt, this documents does not constitute an offer on the part of Tefen and/or any undertaking on its part. Tefen may change the content of this document and/or the technical specifications of the products and/or add and/or remove products and/or change prices and/or any terms and conditions specified in this document at any time and upon its sole discretion without any prior notice.

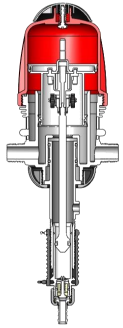
# MixRite 2.5 C Spare Parts Kits



Cat. No.	KIT # %	A Seal	B Suction Piston	C Suction Tube	D Check Valve	F Cylinder	G Motor	H Bypass seal
280201XCXXX	0.1%-0.9%	36000000210	36000000091	36000000036	36000000260	36000000166	36000000203	
280202XCXXX	0.3%-2%	36000000204	36000000049	36000000024	36000000261	36000000087	36000000203	
280204XCXXX	0.4%-4%	36000000205	36000000050	36000000021	36000000263	36000000003	36000000203	
	Recommended sets per dosing pump	100/100	5/100	10/100	10/100	10/100	5/100	5/100



For the removal of any doubt, this documents does not constitute an offer on the part of Tefen and/or any undertaking on its part. Tefen may change the content of this document and/or the technical specifications of the products and/or add and/or remove products and/or change prices and/or any terms and conditions specified in this document at any time and upon its sole discretion without any prior notice.



MixRite Models	Air Release	On/Off	Electric DC	Electric AC	Hydraulic
FIX models	36000000058	36000000059			
STD	36000000058	36000000059	36000000082	36000000124	36300000045
PO					
C					
IO					
BO					
CL	36000000046	36000000067			
CW	36000000152	36000000044			
IV	36000000195	36000000174	36000000075		
Recommended sets per dosing pump	5/100	5/100	5/100	5/100	5/100

# MixRite 3.5 STD Spare Parts Kits



Cat. No.	KIT # %	A Seal	B Suction Piston	C Suction Tube	D Check Valve	F Cylinder	G Motor	H Bypass seal
283001X00XX	0.1%–0.9%	36000000210	36300000016	36000000036	36000000260	36300000032	36300000007	
283002X00XX	0.3%–2%	36000000204	36300000014	36000000024	36000000261	36300000047	36300000007	
283005X00XX	0.5%–5%	36300000020	36300000003	36000000021	36000000263	36300000001	36300000007	
	1%–10%						36300000007	
	Recommended sets per dosing pump	100/100	5/100	10/100	10/100	10/100	5/100	5/100



For the removal of any doubt, this documents does not constitute an offer on the part of Tefen and/or any undertaking on its part. Tefen may change the content of this document and/or the technical specifications of the products and/or add and/or remove products and/or change prices and/or any terms and conditions specified in this document at any time and upon its sole discretion without any prior notice.

# MixRite 3.5 PO Spare Parts Kits



Cat. No.	KIT # %	A Seal	B Suction Piston	C Suction Tube	D Check Valve	F Cylinder	G Motor	H Bypass seal
283002XP0XX	0.3%-2%	36000000204	36300000014	36000000024	36000000261	36300000013	36300000004	
283005XP0XX	0.5%-5%	36300000020	36300000003	36000000021	36000000263	36300000002	36300000004	
	Recommended sets per dosing pump	100/100	5/100	10/100	10/100	10/100	5/100	5/100



For the removal of any doubt, this documents does not constitute an offer on the part of Tefen and/or any undertaking on its part. Tefen may change the content of this document and/or the technical specifications of the products and/or add and/or remove products and/or change prices and/or any terms and conditions specified in this document at any time and upon its sole discretion without any prior notice.



# MixRite 3.5 CL Spare Parts Kits



Cat. No.	KIT # %	A Seal	B Suction Piston	C Suction Tube	D Check Valve	F Cylinder	G Motor	H Bypass seal
283021XCLXX	0.03%-0.2%	36000000212	NA	36300000029	36000000256	N/A	36300000010	
283001XCLXX	0.1%-0.9%	36000000210	36300000016	36000000036	36000000260	36300000024	36300000010	
283002XCLXX	0.3%-2%	36000000204	36300000014	36000000024	36000000261	36300000046	36300000010	
283005XCLXX	0.5%-5%	36300000020	36300000003	36000000021	36000000263	36300000009	36300000010	
283010XCLXX	1%-10%	36000000213	36300000008	36000000028	35200000059	36000000169	36300000010	
	Recommended sets per dosing pump	100/100	5/100	10/100	10/100	10/100	5/100	5/100



For the removal of any doubt, this documents does not constitute an offer on the part of Tefen and/or any undertaking on its part. Tefen may change the content of this document and/or the technical specifications of the products and/or add and/or remove products and/or change prices and/or any terms and conditions specified in this document at any time and upon its sole discretion without any prior notice.

# MixRite 3.5 CW Spare Parts Kits



Cat. No.	KIT # %	A Seal	B Suction Piston	C Suction Tube	D Check Valve	F Cylinder	G Motor	H Bypass seal
283021XCWXX	0.03%-0.2%	36000000212	N/A	36300000029	36000000256	N/A	36300000028	
283001XCWXX	0.1%-0.9%	36000000210	36300000016	36000000036	36000000260	36300000027	36300000028	
283002XCWXX	0.3%-2%	36000000204	36300000014	36000000024	36000000261	36300000018	36300000028	
283005XCWXX	0.5%-5%	36300000020	36300000003	36000000021	36000000263	36300000005	36300000028	
283010XCWXX	1%-10%	36000000213	36300000008	36000000028	35200000059	36000000178	36300000028	
	Recommended sets per dosing pump	100/100	5/100	10/100	10/100	10/100	5/100	5/100



For the removal of any doubt, this documents does not constitute an offer on the part of Tefen and/or any undertaking on its part. Tefen may change the content of this document and/or the technical specifications of the products and/or add and/or remove products and/or change prices and/or any terms and conditions specified in this document at any time and upon its sole discretion without any prior notice.

# MixRite 3.5 BP Spare Parts Kits



Cat. No.	KIT # %	A Seal	B Suction Piston	C Suction Tube	D Check Valve	F Cylinder	G Motor	H Bypass seal
283010X10XX	1%-10%	36000000213	36300000008	36000000028	35200000059	36000000008	36300000004	36000000110
	Recommended sets per dosing pump	100/100	5/100	10/100	10/100	10/100	5/100	5/100



For the removal of any doubt, this documents does not constitute an offer on the part of Tefen and/or any undertaking on its part. Tefen may change the content of this document and/or the technical specifications of the products and/or add and/or remove products and/or change prices and/or any terms and conditions specified in this document at any time and upon its sole discretion without any prior notice.

# MixRite 3.5 PVDF Spare Parts Kits



Cat. No.	KIT # %	A Seal	B Suction Piston	C Suction Tube	D Check Valve	F Cylinder	G Motor	H Bypass seal
283001XIVXX	0.1%-0.9%	36000000095	36300000038	36000000149	36000000256	36000000039	36300000034	36000000168
283002XIVXX	0.3%-2%	36000000093	36300000040	36000000139	36000000257	36000000040	36300000034	36300000042
283005XIVXX	0.5%-5%	36300000025	36300000035	36000000137	36000000258	36300000037	36300000034	36300000042
283010XIVXX	1%-10%	36300000030	36300000031	36000000028	35200000059	36300000033	36300000034	36300000042
	Recommended sets per dosing pump	100/100	5/100	10/100	10/100	10/100	5/100	5/100



For the removal of any doubt, this documents does not constitute an offer on the part of Tefen and/or any undertaking on its part. Tefen may change the content of this document and/or the technical specifications of the products and/or add and/or remove products and/or change prices and/or any terms and conditions specified in this document at any time and upon its sole discretion without any prior notice.

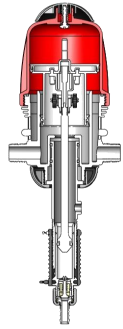
# MixRite 3.5 C Spare Parts Kits



Cat. No.	KIT # %	A Seal	B Suction Piston	C Suction Tube	D Check Valve	F Cylinder	G Motor	H Bypass seal
283002XC0XX	0.3%-2%	36000000204	36300000014	36000000024	36000000261	36300000002	36300000004	
283005XC0XX	0.5%-5%	36300000020	36300000003	36000000021	36000000263	36300000002	36300000004	
283010XC0XX	1%-10%	36000000213	36300000008	36000000028	35200000059	36000000178	36300000004	
	Recommended sets per dosing pump	100/100	5/100	10/100	10/100	10/100	5/100	5/100



For the removal of any doubt, this documents does not constitute an offer on the part of Tefen and/or any undertaking on its part. Tefen may change the content of this document and/or the technical specifications of the products and/or add and/or remove products and/or change prices and/or any terms and conditions specified in this document at any time and upon its sole discretion without any prior notice.



MixRite Models		Air Release	On/Off	Electric DC	Electric AC	Hydraulic
STD	■	36000000058	36000000059	36000000082	36000000124	36300000045
PO	■					
C	■					
IO	■					
CL	■	36000000046	36000000067			
CW	■	36000000152	36000000044			
IV	■	36000000195	36000000174	36000000075		
Recommended sets per dosing pump		5/100	5/100	5/100	5/100	5/100

# MixRite TF5 STD Spare Parts Kits



Cat. No.	KIT # %	A Seal	B Suction Piston	C Suction Tube	D Check Valve	F Cylinder	G Motor
280301X00XX 280401X00XX 280501X00XX	0.1%-1%	35200000001	35200000019	35200000025	35200000058	35200000009	35200000006
280302X00XX 280402X00XX 280502X00XX	0.2%-2%	35200000002	35200000020	35200000025	35200000058	35200000011	35200000006
280305X00XX 280405X00XX 280505X00XX	0.5%-5%	35200000005	35200000021	36000000028	35200000058	35200000012	35200000006
	Recommended sets per dosing pump	100/100	5/100	10/100	10/100	10/100	5/100



For the removal of any doubt, this documents does not constitute an offer on the part of Tefen and/or any undertaking on its part. Tefen may change the content of this document and/or the technical specifications of the products and/or add and/or remove products and/or change prices and/or any terms and conditions specified in this document at any time and upon its sole discretion without any prior notice.



Cat. No.	KIT # %	A Seal	B Suction Piston	C Suction Tube	D Check Valve	F Cylinder	G Motor
280301XP0XX 280401XP0XX 280501XP0XX	0.1%-1%	35200000001	35200000019	35200000023	35200000054	35200000009	35200000010
280302XP0XX 280402XP0XX 280502XP0XX	0.2%-2%	35200000002	35200000020	35200000025	35200000054	35200000011	35200000010
280305XP0XX 280405XP0XX 280505XP0XX	0.5%-5%	35200000005	35200000021	36000000025	35200000054	35200000012	35200000010
	Recommended sets per dosing pump	100/100	5/100	10/100	10/100	10/100	5/100





Cat. No.	KIT # %	A Seal	B Suction Piston	C Suction Tube	D Check Valve	F Cylinder	G Motor
280301XCLXX 280401XCLXX 280501XCLXX	0.1%-1%	35200000001	35200000019	35200000025	35200000060	35200000050	35200000007
280302XCLXX 280402XCLXX 280502XCLXX	0.2%-2%	35200000002	35200000020	35200000025	35200000060	35200000051	35200000007
280305XCLXX 280405XCLXX 280505XCLXX	0.5%-5%	35200000005	35200000021	36000000028	35200000060	35200000052	35200000007
	Recommended sets per dosing pump	100/100	5/100	10/100	10/100	10/100	5/100

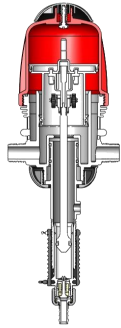
# MixRite TF5 CLPO Spare Parts Kits



Cat. No.	KIT # %	A Seal	B Suction Piston	C Suction Tube	D Check Valve	F Cylinder	G Motor
280301XCLPO 280401XCLPO 280501XCLPO	0.1%-1%	35200000001	35200000019	35200000023	35200000058	35200000009	35200000008
280302XCLPO 280402XCLPO 280502XCLPO	0.2%-2%	35200000002	35200000020	35200000023	35200000058	35200000011	35200000008
280305XCLPO 280405XCLPO 280505XCLPO	0.5%-5%	35200000005	35200000021	36000000025	35200000058	35200000012	35200000008
	Recommended sets per dosing pump	100/100	5/100	10/100	10/100	10/100	5/100



For the removal of any doubt, this documents does not constitute an offer on the part of Tefen and/or any undertaking on its part. Tefen may change the content of this document and/or the technical specifications of the products and/or add and/or remove products and/or change prices and/or any terms and conditions specified in this document at any time and upon its sole discretion without any prior notice.



MixRite Models		Air Release	On/Off	Electric DC	Electric AC	Hydraulic
STD	■	35200000053	35200000022	35200000017	35200000018	35200000016
PO	■	35200000065	35200000022			
CL	■	35200000067	35200000029			
CLPO	■		35200000022			
Recommended sets per dosing pump		5/100	5/100	5/100	5/100	5/100

# MixRite TF10 STD Spare Parts Kits



Cat. No.	KIT # %	A Seal	B Suction Piston	C Suction Tube	D Check Valve	F Cylinder	G Motor
280801X00XX 280901X00XX	0.1%-1%	35100000001	35100000019	36000000028	35200000058	35100000009	35100000006
280802X00XX 280902X00XX 281002X00XX	0.2%-2%	35100000002	35100000020	36000000028	35200000058	35100000011	35100000006
280805X00XX 280905X00XX 281005X00XX	1%-5%	35100000005	35100000021	36000000028	35200000058	35100000012	35100000006
	Recommended sets per dosing pump	100/100	5/100	10/100	10/100	10/100	5/100



For the removal of any doubt, this documents does not constitute an offer on the part of Tefen and/or any undertaking on its part. Tefen may change the content of this document and/or the technical specifications of the products and/or add and/or remove products and/or change prices and/or any terms and conditions specified in this document at any time and upon its sole discretion without any prior notice.



Cat. No.	KIT # %	A Seal	B Suction Piston	C Suction Tube	D Check Valve	F Cylinder	G Motor
280801XCLXX 280901XCLXX	0.1%-1%	35100000001	35100000019	36000000028	35200000060	35100000050	35100000053
280802XCLXX 280902XCLXX 281002XCLXX	0.2%-2%	35100000002	35100000020	36000000028	35200000060	35100000051	35100000053
280805XCLXX 280905XCLXX 281005XCLXX	1%-5%	35100000005	35100000021	36000000028	35200000060	35100000052	35100000053
	Recommended sets per dosing pump	100/100	5/100	10/100	10/100	10/100	5/100



For the removal of any doubt, this documents does not constitute an offer on the part of Tefen and/or any undertaking on its part. Tefen may change the content of this document and/or the technical specifications of the products and/or add and/or remove products and/or change prices and/or any terms and conditions specified in this document at any time and upon its sole discretion without any prior notice.

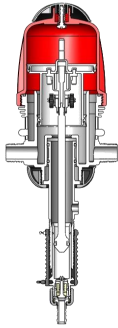
# MixRite TF10 CLPO Spare Parts Kits



Cat. No.	KIT # %	A Seal	B Suction Piston	C Suction Tube	D Check Valve	F Cylinder	G Motor
280801XCLPO 280901XCLPO	0.1%-1%	35100000001	35100000019	36000000028	35200000058	35100000009	35100000056
280802XCLPO 280902XCLPO 281002XCLPO	0.2%-2%	35100000002	35100000020	36000000028	35200000058	35100000011	35100000056
280805XCLPO 280905XCLPO 281005XCLPO	1%-5%	35100000005	35100000021	36000000028	35200000058	35100000012	35100000056
	Recommended sets per dosing pump	100/100	5/100	10/100	10/100	10/100	5/100



For the removal of any doubt, this documents does not constitute an offer on the part of Tefen and/or any undertaking on its part. Tefen may change the content of this document and/or the technical specifications of the products and/or add and/or remove products and/or change prices and/or any terms and conditions specified in this document at any time and upon its sole discretion without any prior notice.



MixRite Models		Air Release	On/Off	Electric DC	Electric AC	Hydraulic
STD	■	35100000054	35100000022	35100000017	35100000018	35100000016
CL	■	35100000058	35100000037			
CLPO	■		35100000023			
Recommended sets per dosing pump		5/100	5/100	5/100	5/100	5/100

# MixRite TF25 STD Spare Parts Kits

MixRite



Cat. No.	KIT # %	A Seal	B Suction Piston	C Suction Tube	D Check Valve	F Cylinder	G Motor
282301X00XX 282401X00XX 282501X00XX	0.1%-1%	35000000008	35000000019	35000000049	35000000022	35000000009	35000000005
282302X00XX 282402X00XX 282502X00XX	0.3%-2.5%	35000000002	35000000020	35000000049	35000000022	35000000011	35000000005
282305X00XX 282405X00XX 282505X00XX	1%-5.5%	35000000003	35000000021	35000000049	35000000004	35000000012	35000000005
	Recommended sets per dosing pump	100/100	5/100	10/100	10/100	10/100	5/100



For the removal of any doubt, this documents does not constitute an offer on the part of Tefen and/or any undertaking on its part. Tefen may change the content of this document and/or the technical specifications of the products and/or add and/or remove products and/or change prices and/or any terms and conditions specified in this document at any time and upon its sole discretion without any prior notice.



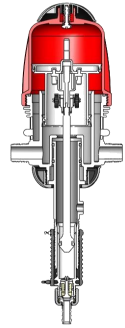
# MixRite TF25 CLPO Spare Parts Kits



Cat. No.	KIT # %	A Seal	B Suction Piston	C Suction Tube	D Check Valve	F Cylinder	G Motor
282301XCLPO 282401XCLPO 282501XCLPO	0.1%-1%	35000000008	35000000019	35000000049	35000000022	35000000009	35000000053
282302XCLPO 282402XCLPO 282502XCLPO	0.3%-2.5%	35000000002	35000000020	35000000049	35000000022	35000000011	35000000053
282305XCLPO 282405XCLPO 282505XCLPO	1%-5.5%	35000000003	35000000021	35000000049	35000000004	35000000012	35000000053
	Recommended sets per dosing pump	100/100	5/100	10/100	10/100	10/100	5/100



For the removal of any doubt, this documents does not constitute an offer on the part of Tefen and/or any undertaking on its part. Tefen may change the content of this document and/or the technical specifications of the products and/or add and/or remove products and/or change prices and/or any terms and conditions specified in this document at any time and upon its sole discretion without any prior notice.



MixRite Models		Air Release	On/Off	Electric DC	Electric AC	Hydraulic
STD	■	35000000015	35000000007	35000000017	35000000024	35000000016
CLPO	□		35000000006			
Recommended sets per dosing pump		5/100	5/100	5/100	5/100	5/100