



03/ Climate Maintaining

- ✓ Keep your cattle cool and protected.
- ✓ Prevent decreased milk yield caused by heating stress.



Misting Unit Mark 1

222729T0101 / 222729T0102
R1 | 11/16" NC
R2 | 1/4" NPT



Conical Spray Nozzles

22210028006
α Angle | 80°
Flow range | 0,35 - 0.817 Lit. per Min
Operating pressure range | 2-10 bar



Nut for Nozzle

32272900082
Type | 11/16" NC

Since 1973.

Tefen is a leading manufacturer of environmentally friendly, non-electric volumetric equipment and flow products.

Tefen's MixRite line of water-driven proportional dosing pumps are used to ensure precise additive injection directly into the water or fluid line, with various flow rates, feed ratios and pressure ranges. These injectors are extremely durable, manufactured from engineered composite materials to withstand the rigors of the elements, as well as chemicals and acids for injection.

The Tefen MixRite water powered dosing pump is a simple, user friendly and ingenious system that has demonstrated its value in over 90 countries.



Kibbutz Nahsholim 3081500 Israel | www.tefentech.com
Tel. 972 4 6395944 | Fax. 972 4 6390813 | info@tefentech.com

ISO 9001
2015 certified



For the removal of any doubt, this documents does not constitute an offer on the part of Tefen and/or any undertaking on its part. Tefen may change the content of this document and/or the technical specifications of the products and/or add and/or remove products and/or change prices and/or any terms and conditions specified in this document at any time and upon its sole discretion without any prior notice.

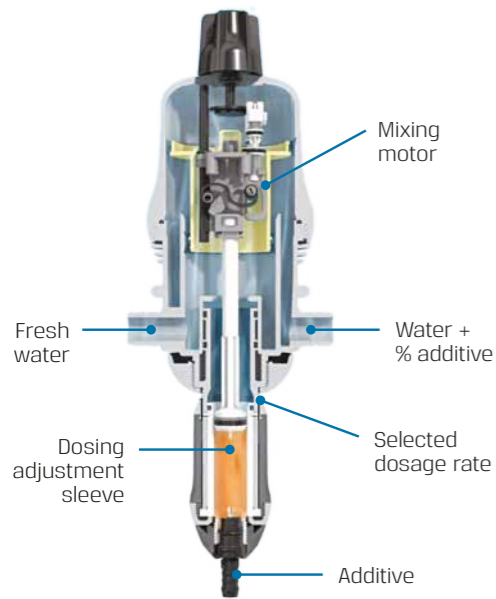
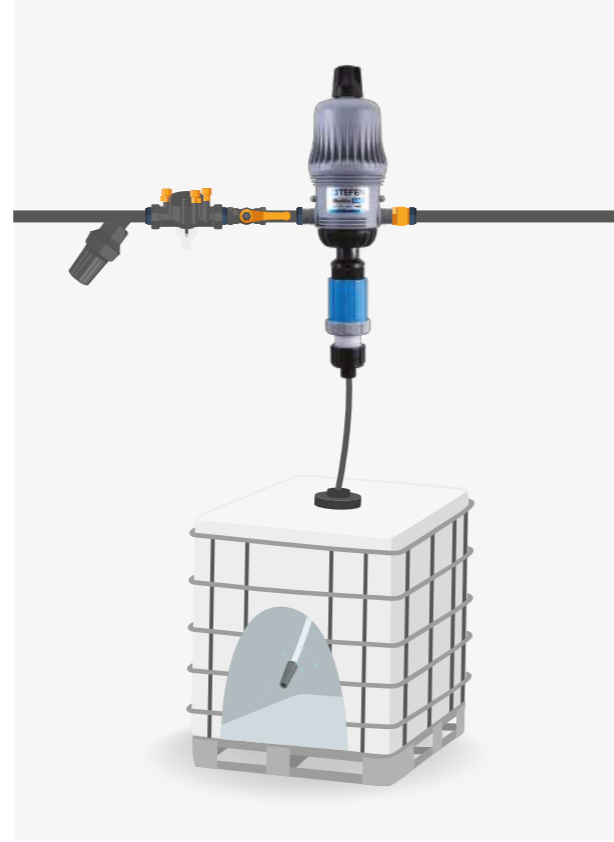
Mixrite Livestock Solutions for

CATTLE HEALTH



MixRite Advantages

- ✓ Hydraulic, volumetric and non-electric.
- ✓ Dosing proportional to water flow rate.
- ✓ Excellent dosing repeatability and homogeneity.
- ✓ Easy dosing adjustment.
- ✓ Easy to install, operate and maintain.



Installation Recommendations

Please follow these guidelines to prevent water contamination from the injection system:

- 1/ Stop valve or non-return valve must be installed.
- 2/ 130-micron filter (120 mesh) up-stream filter must be installed.
- 3/ The pump must be placed above the container of the dosing product.
- 4/ In cases of bypass installation, air release method must be applied.

Our MixRite Solutions



MixRite 3.5 Series

2830100CW00*
0.03-0.2%, 0.1-0.9%,
0.3-2%, 0.5-5%, 1-10%
For Iodine, alkaline and
acid (PAA) (<15 %).

Water pressure | 02-8 bar (2.9-120 psi)
Flow Rate | 10-3500 l/h (2.65-930) gal/h
Weight | 1.8 kg (4 lb)
Coupling | 3/4"

*Additional models available



MixRite 3.5 Series

2830101CIV0
1-10%
For highly concentrated
acids (>15 %) and
chlorinated product.

Water pressure | 02-8 bar (2.9-120 psi)
Flow Rate | 10-3500 l/h (2.65-930) gal/h
Weight | 3 kg (4 lb)
Coupling | 3/4"



MixRite 3.5 Series

2830051CIV0
0.5-5%
For highly concentrated
acids (>15 %) and
chlorinated product.

Water pressure | 02-8 bar (2.9-120 psi)
Flow Rate | 10-3500 l/h (2.65-930) gal/h
Weight | 1.9* kg (4 lb)
Coupling | 3/4"

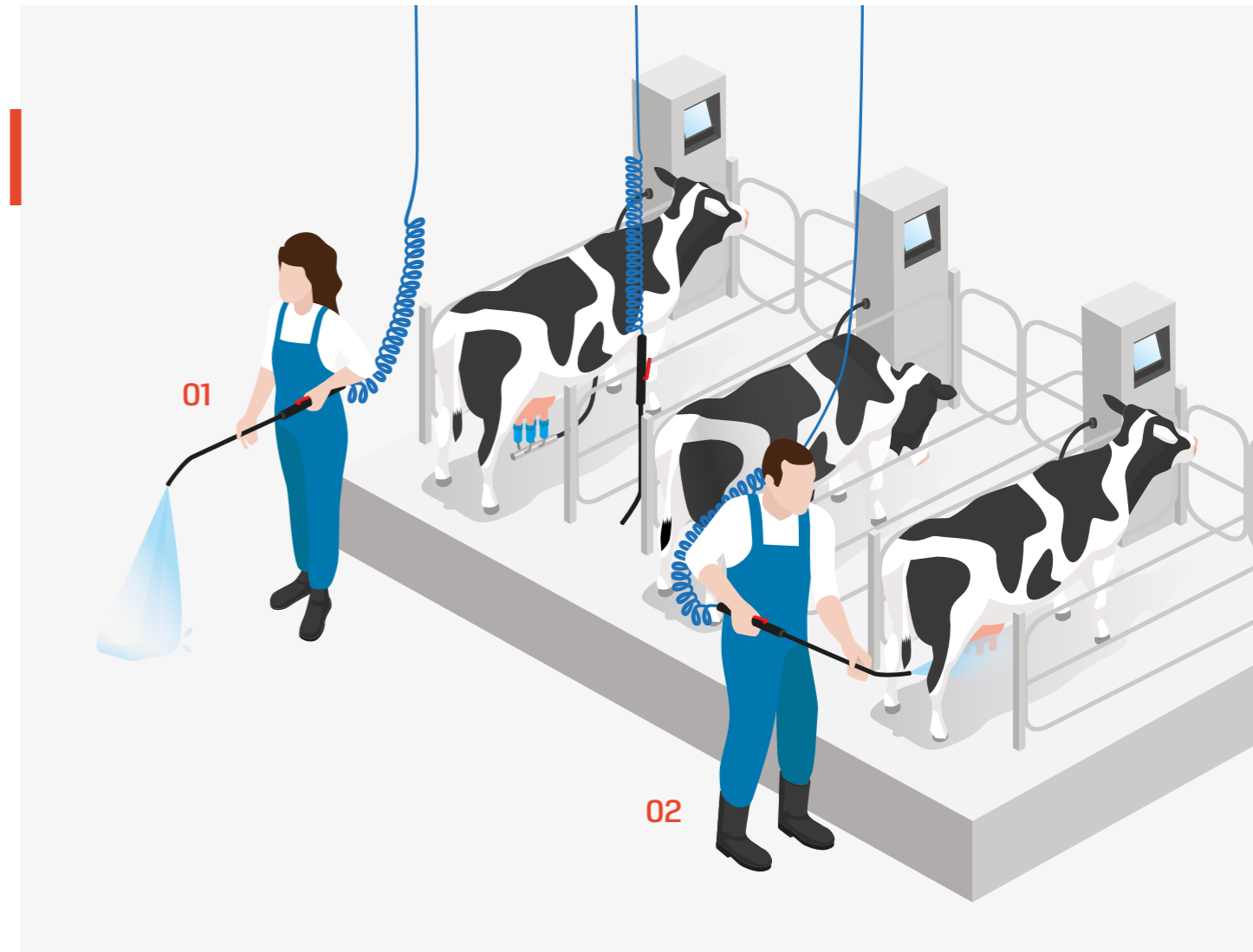
Applications

01/ Cattle Shed Disinfection

- ✓ Prevent the spread of environmental mastitis.

02/ Pre & Post Teat Disinfection

- ✓ Excellent for disinfection milking parlour, and cows chamber flooring.
- ✓ Prevent mastitis by spraying teat before milking and after.



Spray Gun - Iodine

22210004004
End connector inch | 1/4" female



*Retractable coil

Type | nylon, 8 mm
Please verify compatibility